



# PHYSICAL SECURITY FOR YOUR DIGITAL WORLD

Place your order at [kentix.com](http://kentix.com)

# Product Catalog 2026

SOLUTIONS	Securing the office, warehouse and production.....	4
	Monitor your data center.....	8
	White space & grey space.....	10

KentixONE®	<b>KentixONE®</b> .....	14
	Platforms.....	15

SMARTACCESS	<b>SmartAccess</b> .....	18
	System components .....	20
	SmartAccess Radio .....	24
	SmartAccess Bus .....	46


SMARTMONITORING	<b>SmartMonitoring</b> .....	66
	System components .....	68
	Products .....	70
	Application examples .....	86

SMARTPDU	<b>SmartPDU</b> .....	86
	System components .....	88
	Products .....	96

SMARTVIDEO	<b>SmartVideo</b> .....	108
	Products .....	110


# Ingenious. 8-in-1. KentixONE.

Secure companies and critical infrastructures with just one system




**1. Access Control**  
Not just knowing who – when – where, but also granting and revoking access permissions in real time and from anywhere.

See page 18




**2. Intrusion Alarm**  
Immediate alert in case of a break-in or attempted break-in, with a deterrent effect on perpetrators.

See page 78




**3. Environmental Monitoring**  
Continuous monitoring of the prescribed environmental standards reliably prevents quality degradation.

See page 82




**4. Early Fire Detection**  
Fires are among the most devastating threats to companies. The 4-factor fire detection system detects fires before they occur.

See page 72




**5. Video Surveillance**  
Keep an eye on everything at all times with live real-time video surveillance. When an event is triggered, the camera records.

See page 108




**6. Power Distribution Units**  
Disruptions, interruptions, or complete outages are prevented thanks to real-time monitoring of energy conditions.

See page 90



**8. Network & Device Monitoring**  
Continuously monitors the devices in the network and identifies errors before they become a serious threat.

See page 16



**7. External Systems & Alarms**  
As part of infrastructure monitoring, capturing fault reports from external systems provides even more security.

See page 79

## One Software. For Everything.

On-premise as a hardware appliance or Docker container



### API – Open, consistent, enterprise-ready

#### A uniform API for all trades

Access, alarms, video, sensors, and IT monitoring can be controlled and integrated via a consistent REST API.

#### Real-time capability for critical processes

Events, alarms, and status changes are available in real time for external systems.

#### Secure & documented for professional use

Authentication, role models, and clear documentation enable enterprise and critical infrastructure integrations.

#### Future-proof thanks to platform approach

API remains stable even when new functions or devices are added to KentixONE.



### Integration – From isolated solutions to a platform

#### True system integration instead of parallel operation

Security, infrastructure, and operation grow together functionally.

#### Seamless integration into existing IT landscapes

Ideal for data centers, industry, KRITIS, and enterprise environments.

#### Uniform logic across all trades

Alarms, rules, and automations apply across systems.

#### Fast added value without rip-and-replace

Existing systems can be integrated step by step.



### Reports – transparency at the touch of a button

#### Central evaluation of all system data

Events, alarms, statuses, and trends from all systems combined.

#### Audit and compliance-ready

Complete documentation for audits, certifications, and verification.

#### Automated reports instead of manual evaluations

Time savings and error reduction through standard and time reports.

#### Better decisions through context

Data is presented in a comprehensible manner across systems, not in isolation.



### GUI – One system, one interface

#### Central, web-based management interface

All functions and trades are operated via a single GUI – without tool breaks.

#### Intuitive instead of requiring explanation

Clearly structured interfaces enable quick commissioning and minimal training.

#### Role-based user guidance

Each user only sees the functions relevant to them – secure and clear.

#### Scalable from single locations to corporate structures

Same GUI for small installations and complex multi-site environments.



### Apps – Mobile, secure, productive

#### One app for all KentixONE functions

Alarms, status, operation, and analysis in one mobile application.

#### Real-time push notifications for critical events

Alarms reach the right people immediately and specifically.

#### Secure access with roles & rights

Mobile use without security risks – fully integrated into the user concept.

#### Productive in everyday use and in emergencies

Same app for operation, maintenance, and emergency response.



### Security – Security by Design

#### Holistic security platform

Physical security, IT monitoring, and operational security in one system.

#### Security by design instead of retroactive protection

Architecture, communication, and role models are secure from the ground up.

#### Suitable for critical infrastructure and highly sensitive environments

Developed for professional, security-critical infrastructures.

#### Reduced attack surface through system consolidation

Fewer systems, fewer interfaces, more security.



### Interfaces – Maximum connectivity

#### Standardized industrial and IT interfaces

Support for common protocols and standards such as: REST API, Webhooks, LDAP, SNMP V2/3, MODBUS, etc.

#### Bidirectional communication

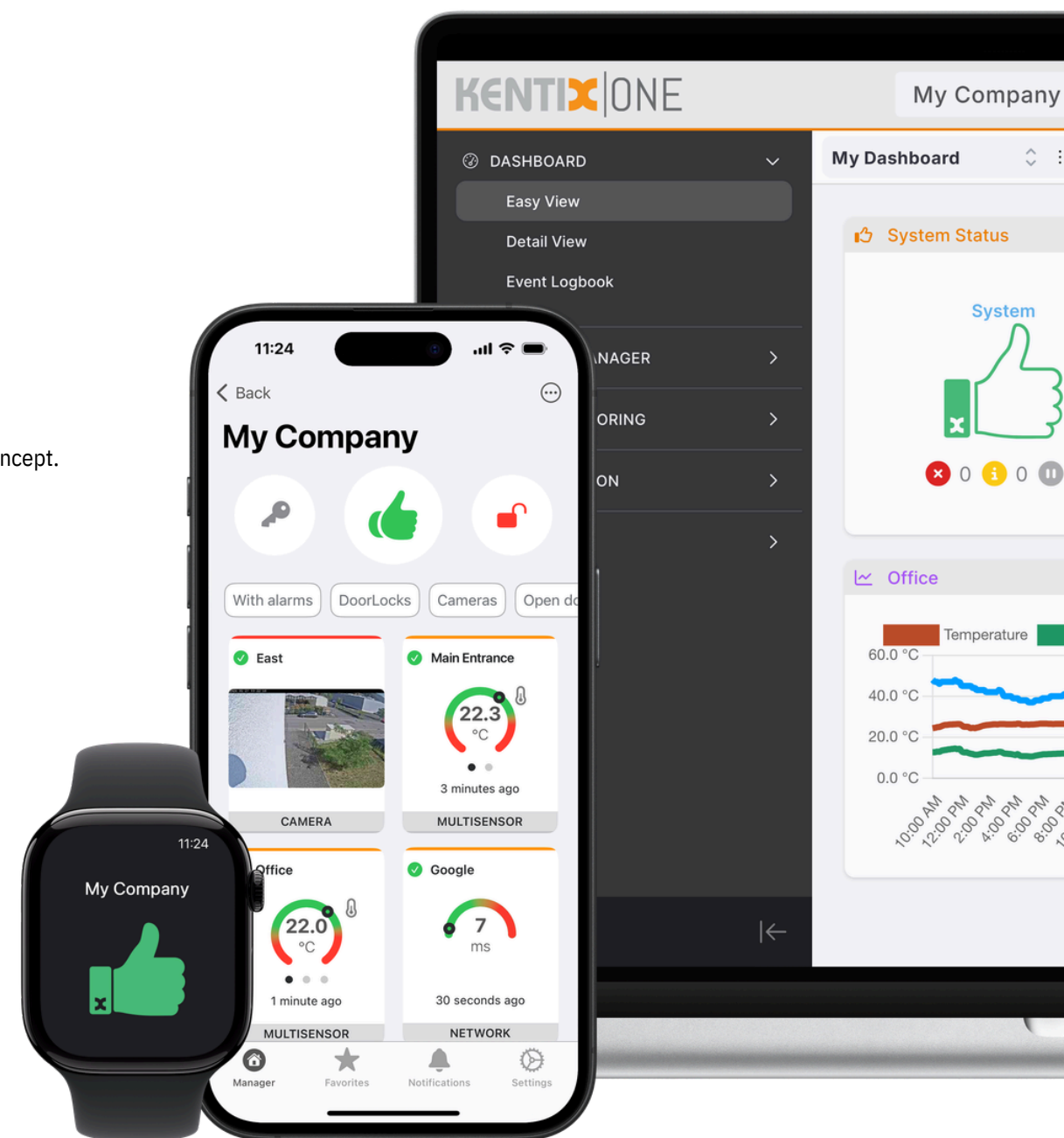
KentixONE can receive and actively control data, not just display it.

#### Reduction of gateways & additional hardware

Many interfaces are natively integrated – less complexity, lower costs.

#### Future-proof expandability

New interfaces can be added without changing the system.



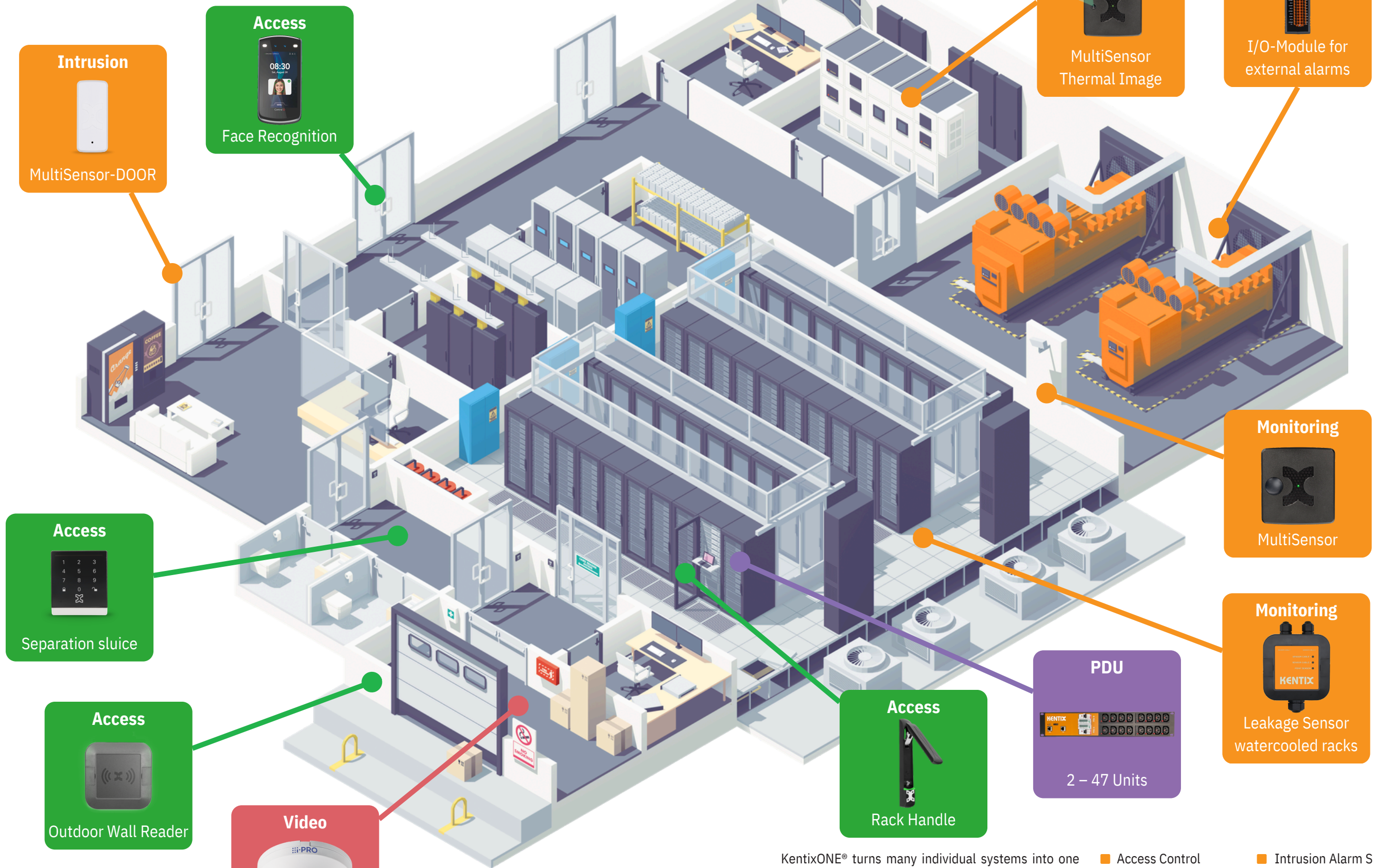
# The ingenious KentixONE system platform

IoT-based. Less complexity. Everything fits together perfectly.



# Monitor Data Center with just one system

The 8-in-1 security solution for data centers according to EN 50600/ISO 22237 certification



KentixONE® turns many individual systems into one system and thus increases security by eliminating the need for different interfaces. With KentixONE you can replace the following systems and save high investment and operating costs.

- Access Control
- Early Fire Detection
- Intrusion Alarm System
- Alarm Monitoring
- Video Surveillance
- Environmental Monitoring
- Network Monitoring
- Power Monitoring

The **White Space** area consists of a series of cabinets, racks, and enclosures that house the IT equipment. It also includes a large number of power, control, and network cables that connect the individual elements of the white space area. The focus is on an infrastructure that aims to optimize space utilization and reliability while ensuring the protection of critical components.

# White Space & Grey Space

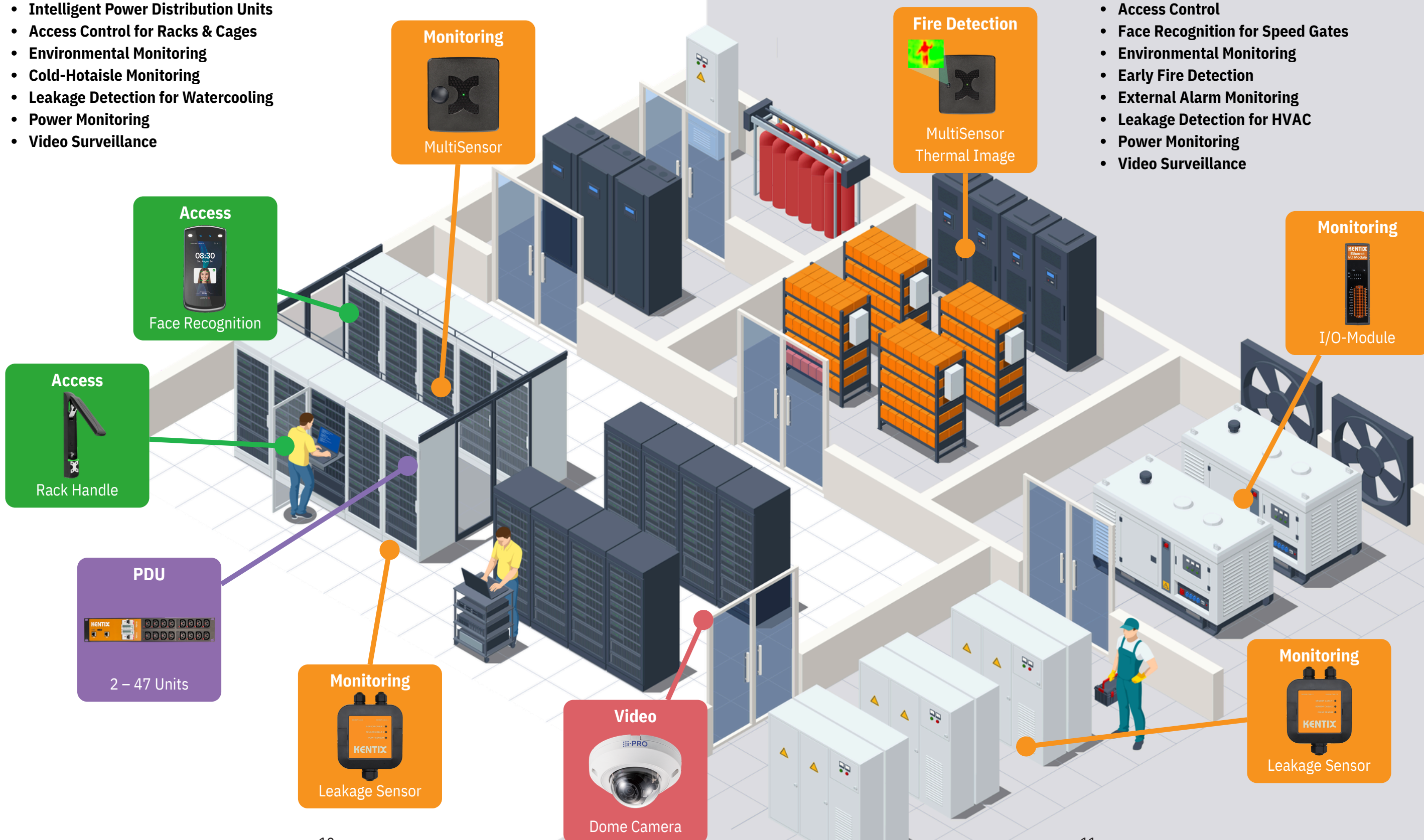
The **Grey Space** area encompasses a variety of facilities, systems, and equipment designed to support backend functions to ensure the continuous and secure operation of the white area. This area is where core services such as power, cooling, security, and network connectivity are implemented in the facility.

### White Space Solutions:

- Intelligent Power Distribution Units
- Access Control for Racks & Cages
- Environmental Monitoring
- Cold-Hotaisle Monitoring
- Leakage Detection for Watercooling
- Power Monitoring
- Video Surveillance

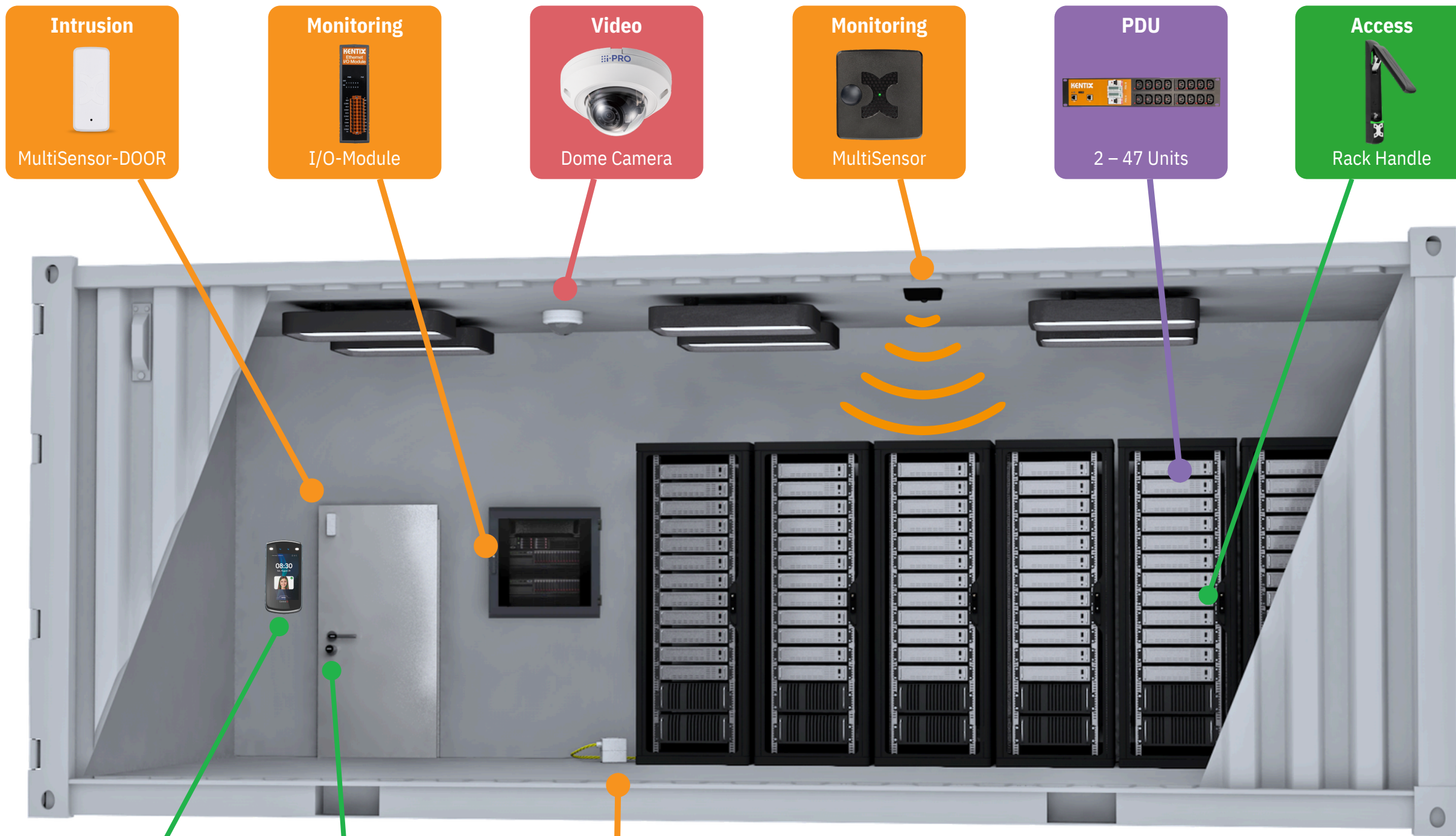
### Grey Space Solutions:

- Access Control
- Face Recognition for Speed Gates
- Environmental Monitoring
- Early Fire Detection
- External Alarm Monitoring
- Leakage Detection for HVAC
- Power Monitoring
- Video Surveillance



# Monitor and optimize distributed IT infrastructure with just one system

The all-in-one security solution to manage distributed infrastructure according to security regulations



**Access**

Face Recognition

**Access Control**

Wireless Locks

**Monitoring**

Leakage Sensor

KentixONE® turns many individual systems into one system and thus increases security by eliminating the need for different interfaces. With Kentix you can replace the following systems and save high investment and operating costs:

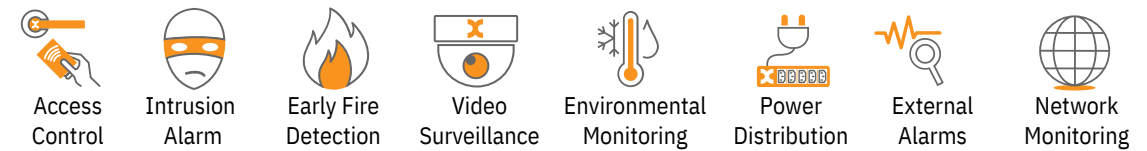
- Access Control
- Early Fire Detection
- Alarm Monitoring
- Video Surveillance
- Intrusion Alarm System
- Environmental Monitoring
- Network Monitoring
- Power Monitoring

# We make security technology simple and digital



# Ingenuous. 8-in-1. KentixONE.

Protect your business and critical infrastructure from more than 40 physical threats. Our IoT solution KentixONE® combines 8 security systems, reduces complexity and saves time and money.



- Runs on-premise - as an appliance or Docker container - fully integrated into your IT
- Alerts and information available anytime and anywhere via app (iOS, Android)
- 8-in-1 system for monitoring more than 40 threats - everything fits together
- Open interfaces for maximum compatibility in your business
- Unlimited expandability - even across departments and locations

### Automation

- KentixONE consolidates eight traditional security systems into a single Physical Security Platform.
- Over 40 threats to rooms and buildings are proactively monitored using KentixONE.
- Runs on-premise within your own network, delivering maximum physical security with minimal effort.

### Integration

- Seamless integration into existing IT infrastructure through end-to-end network technology.
- Software comes pre-installed, enabling quick and simple deployment.
- Intuitive and process-friendly operation, adapting easily to daily workflows.

### Centralization

- Intuitive KentixONE web front end serves as the central hub for operation and configuration.
- Flexible and comprehensive control of all security functions from one interface.
- Mobile app for smartphones and smartwatches provides an ideal on-the-go command centre.

## Choose the plan that suits your project on “kentix.com”

<p>KentixONE <b>Small</b></p> <p>Start small, upgrade at any time</p> <p>Configure</p>	<p>Popular</p> <p>KentixONE <b>Medium</b></p> <p>For medium-sized environments</p> <p>Configure</p>	<p>KentixONE <b>Large</b></p> <p>For large environments</p> <p>Configure</p>	<p>KentixONE <b>Enterprise</b></p> <p>For very large environments</p> <p>Configure</p>
--	---	--	--



## KentixONE® with SiteManager as hardware appliance

KentixONE is the central software for all Kentix installations. KentixONE is already integrated with the SiteManager as a hardware appliance and can be conveniently configured via a web browser. It integrates all KentixONE functional areas such as SmartAccess, SmartMonitoring, SmartPDU and SmartVideo. The SiteManager can manage up to 500 devices from the various functional areas and offers the functionality of an alarm center with various transmission paths (network, mobile radio) for alerting.

The SiteManager offers flexible installation options, such as DIN rail mounting on a 35mm DIN rail or installation in a 19" IT rack. Power is supplied via an integrated redundancy module with two external power supply units. The SiteManager is therefore the ideal solution for the central control and monitoring of your security infrastructure.

### Products

Type	SKU
KentixONE with SiteManager Appliance	KSM-DR-02
Plug-in power supplyl EU 110-240V, 12Watt	KSM-KOP-24/12

### Technical details of the appliance

System	Hardware-Appliance mit KentixONE®, High-performance processor Quad Core 1,6 GHz, lüfterlos, 8GB Flash, 2GB RAM
Operating system	KentixONE® from 8.x
Configuration	Integrated web server (HTTPS)
IP Ports	Web-Server: 443 TCP, SNMP-GET: 161 UDP, SNMP-TRAP: 162 UDP, KentixONE®: 5222 TCP
Real-time clock	Battery-buffered clock (battery: CR1220, approx. 10 years)
Ethernet	LAN1: 1Gbit (Default-IP: 192.168.100.222) LAN2: 100Mbit (Default-IP: 192.168.101.222)
Mobile radio	Integrated 4G cellular modem for network redundancy and SMS transmission
External memory	Micro SD card holder as additional memory for image recording, backup up to 1TB
Power supply	Dual-Input (A/B), 24VDC +-20%, power consumption approx. 5W Plug: WAGO item no. 714-102 (MCS MINI SL)
System port	2x Kentix Systemport (4x Digital-IN, 4x Digital-OUT)
Housing	Metal housing for 19" rack installation, top-hat rail mounting, 111 x 25 x76 mm (HxWxD) Weight approx. 300g, DIN rail holder, 35 mm
Ambient conditions	Temperature 0 - 55°C, humidity 93% @ 40°C, non-condensing Operating altitude: 5000 m (16400 ft)
Scope of delivery	SiteManager, plug-in power supply EU/C13, 19" mounting bracket 1U, micro SD card 32GB
Accessories	Plug-in power supply EU/C13, 19" mounting frame with 4U top-hat rail, IO adapter KIO3
Approvals	CE

## KentixONE® virtualized as a Docker container



KentixONE is the central software for all Kentix installations. The Docker container contains KentixONE for virtualized container environments, which can be conveniently configured via a web browser. It integrates all functional areas such as SmartAccess, SmartMonitoring, SmartPDU and SmartVideo. The KentixONE Docker application is ideal for large system environments in the enterprise environment. There is no restriction on devices. It is delivered as a "license key" and the Docker image is installed via the Kentix Docker repository.

Prerequisite for operation:

- Existing Docker environment for installing the image from the Kentix repository (software download)
- Experience in working with Docker containers
- For further information see "Docker Documentation"

### Products

Type	SKU
KentixONE as Docker-Container	KSM-DOCKER-1

### Technical details of the appliance

System	KentixONE® as a Docker container For Linux operating systems
Operating system	KentixONE® from 8.x
Scope of delivery	Docker VM, requires a KentixONE® plan



## Kentix DoorLock® - securely networked access

Who has access to which room and when?

With the Kentix DoorLock® you have full (access) control: with different variants of locking components and individual time user profiles, you can set up an access solution exactly according to your needs in no time at all. Thanks to KentixONE®, you always have an overview of all your rooms - at any time and even when you're on the move via an app for your smartphone or tablet. And if a problem does occur, the Kentix system informs you immediately and reliably so that you can act as quickly as possible. The special feature of the Kentix access system is its simple networking and integration into IT networks. Retrofitting is uncomplicated and possible without special tools or additional structural measures. The Kentix DoorLock® system consists of radio-controlled and wired components that can be easily combined to form a centrally managed system. This means that large and small access systems can be implemented for every requirement with minimal installation effort.

### Access control with video recording

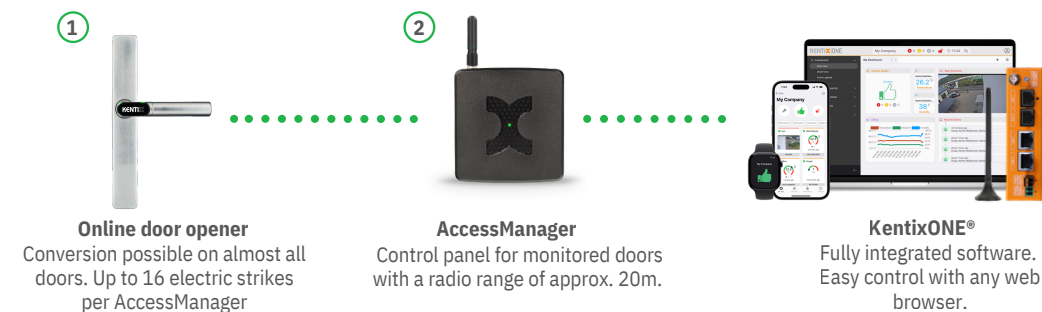
When a booking is made at the locking component, an IP camera can be activated at the same time, which records a series of images. This is stored together with the personal data. Unauthorized access attempts are forwarded directly to the person responsible by e-mail with a video attachment.

### Possible applications:

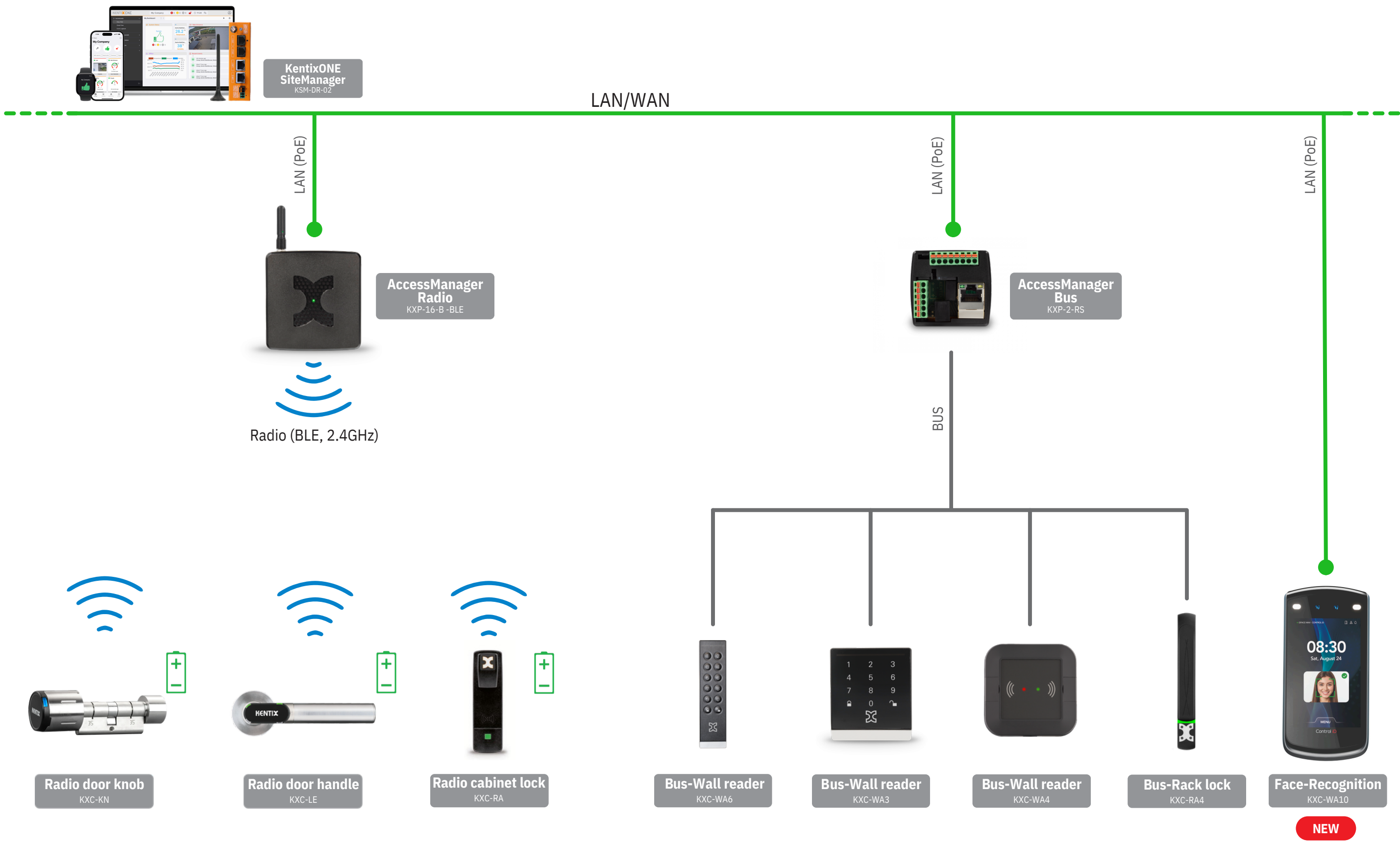
- Office and administration rooms
- Industry, production halls and warehouses
- Container sites and distributed properties
- Server rooms, data centers and IT racks
- Hospital, laboratory and medicine cabinets
- Critical infrastructure



Installation effort to set up a complete, remote-controlled locking solution. With an online electric strike **①** and an AccessManager **②** it is possible to



# All system components at a glance - simple networking for SmartAccess



## Everything is in view at all times, from anywhere and at any time

With KentixONE, you can set up a complete, network-ready access solution in no time. By interconnecting several Access Managers, you can connect virtually any number of doors to one system, even across different locations. Users and time profiles can be set up via a web browser, and doors can be released for opening. All bookings are always available at a glance. No additional software is required for configuration.

The access logbook provides an overview of all bookings, including failed bookings (e.g., due to insufficient authorization). This allows you to see who entered a room at any time. Simple filter functions allow you to limit the selection to specific days, doors, and people.

Use access and time profiles to specify which users are authorized to open which doors at which times. An access profile always includes a time profile and one or more doors. You can assign any number of access profiles to a user. This creates maximum flexibility, even with larger systems, without becoming complicated or confusing.



## Control is good, video is better



KentixONE® integrates network cameras. When someone makes a booking at the door opener using an RFID token or smartphone, a network camera is activated to record a video stream. These images are stored in the logbook and can be retrieved at any time via the corresponding booking entry. Each door in the system can be connected to a camera, linking each access to a video sequence in addition to the usual personal and access data.

## LDAP makes access management even easier

KentixONE integrates LDAP, the standard protocol for accessing directory services. This means that authorization accounts in the Kentix DoorLock system can be easily imported and synchronized via LDAP, saving time and money on access management. Access authorizations are managed centrally and assigned or denied based on user profiles. Logging in to the Kentix access control system is always done via the directory service, eliminating the need for multiple passwords. In addition to authorization, LDAP can be used to centrally determine who has access, when, and where. When an employee's role in the company changes, the access control system automatically receives this information from the central server. This simplifies access management for companies with frequent user or authorization changes. Thanks to regular, simple synchronization and short updates via LDAP, system administrators can manage constantly changing authorizations with little effort. CSV files with user data can also be imported. This allows a large number of users to be imported quickly and easily into the Kentix DoorLock system for new systems without a connection to directory services.

ACTIVE	USERNAME	EMAIL	PHONE	NAME	PERMISSION
<input checked="" type="checkbox"/>	Gal.Hiscoke			Gal Hiscoke	
<input checked="" type="checkbox"/>	Garvy.Zavattero			Garvy Zavattero	
<input checked="" type="checkbox"/>	Gena.Tillo			Gena Tillo	
<input checked="" type="checkbox"/>	Gene.Westmotland			Gene Westmotland	
<input checked="" type="checkbox"/>	Germaine.Kleinholz			Germaine Kleinholz	
<input checked="" type="checkbox"/>	Goldarina.Powdrell			Goldarina Powdrell	
<input checked="" type="checkbox"/>	Gregory.Gowan			Gregory Gowan	
<input checked="" type="checkbox"/>	Gretzel.Vyel			Gretzel Vyel	
<input checked="" type="checkbox"/>	Guenevere.Ealden			Guenevere Ealden	
<input checked="" type="checkbox"/>	Guntar.Maldens			Guntar Maldens	
<input checked="" type="checkbox"/>	Gwenette.Hutchin			Gwenette Hutchin	
<input checked="" type="checkbox"/>	Hadria.McGuckin			Hadria McGuckin	
<input checked="" type="checkbox"/>	Hanni.Arnowitz			Hanni Arnowitz	
<input checked="" type="checkbox"/>	Harlene.Sandercock			Harlene Sandercock	
<input checked="" type="checkbox"/>	Harriott.Du Barry			Harriott Du Barry	
<input checked="" type="checkbox"/>	Hastings.Obbard			Hastings Obbard	
<input checked="" type="checkbox"/>	Helyn.Forrester			Helyn Forrester	
<input checked="" type="checkbox"/>	Henrieta.Huddle			Henrieta Huddle	
<input checked="" type="checkbox"/>	Henrik.Foerster			Henrik Foerster	Administrator
<input checked="" type="checkbox"/>	Henry.Slyman			Henry Slyman	

User management

**LDAP-Server**

The local user data is synchronized with the specified LDAP server at intervals and adjusted according to the settings made.

Activate  
Enable the LDAP service.

Soft Delete  
Deleted user on the LDAP Server are getting locked instead of deleted.

**LDAP Server Type**  
Active Directory

Use Ranges when fetching users  
Enable this option if ranges should be used when fetching users. This function is especially...

**Encryption Mode**  
No encryption

**Server**  
192.168.100.1

**Port**  
389

**Base DN**  
dc=yourcompany,dc=com

**Authentication**  
To import user data into KentixONE, the 'Distinguished Name' (DN) of an LDAP user with read authorisation is required.

**Bind DN (LDAP Administrator)**  
cn=admin,ou=yasadmin,dc=yourcompany,dc=com

Secure LDAP setup



## AccessManager radio

With the AccessManager (wireless), time-user profiles can be easily managed for both small and large projects. An Access Manager manages up to 16 doors and an unlimited number of users with the appropriate time authorization profiles via web browser (HTTPS). Access Managers can be networked with each other indefinitely. Power is supplied via Power over Ethernet (PoE).

The integration of LDAP makes access management particularly convenient and KentixONE® enables the entire system to be controlled from anywhere and at any time via an app.

### Products

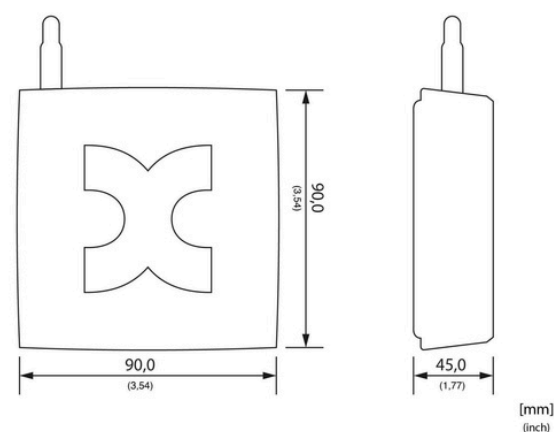
Type	Housing color	SKU
AccessManager Radio	black	KXP-16-B-BLE
AccessManager Radio	white	KXP-16-W-BLE

### Accessoires

Type	SKU
PoE-Injector	KPOE100EU
I/O-Module with relay	KIO3
Magnetic base for antenna	KXP-ANT-EXT1
USB Desktop Reader	KXC-DR1-MIFARE

### Technical details

Connection option	Ethernet (PoE) - Integrated web server
Ethernet	10/100 Mbit, integrated web server, communication ports: 80/443
Radio	2.4 GHz (BLE), AES 128 bit encryption
Number of doors	Up to 16 wireless DoorLocks (doors) can be taught in
SD-Karte	Micro SD card holder as additional memory for image recording
Kentix system socket	RJ45, for connecting external Kentix Plug'n'Play modules
Switching outputs (system socket)	2x open collector 0.1 A/24 V, optional: I/O module (KIO3) 2x changeover relay 1 A/24 V
Alarm inputs (system socket)	2x alarm input (potential-free), optional: I/O module (KIO3)
SNMP	SNMP (V2/3), SNMP Traps (V2/3)
Power supply	Power over Ethernet (PoE), power consumption approx. 1.5 W, PoE Class 1
Housing	Protection class IP20, 90 x 90 x 45 mm; weight approx. 100 g; color: black, white
Ambient conditions	Temperature 0 - 50 °C, humidity 5-95%, non-condensing
Scope of delivery	AccessManager, antenna, mounting bracket, mounting material, 3 m SlimLine cable
Approvals	CE



Radio door fitting  
see page 36

## DoorLock-DC radio door knob



DoorLock-DC BASIC



DoorLock-DC PRO

Now also available in VDS version for doors up to resistance class RC5

The wireless door knob can be installed with little effort using a Euro profile cylinder and is suitable for use in all conventional locks for DIN Euro profile cylinders. The radio door knob therefore offers a cost-effective locking solution for both new buildings and existing properties. Various RFID media in MIFARE® DESFire® technology are available as keys. Power is supplied by batteries (CR2), which can only be changed or removed with special authorization.

### Products

Type	Protection class	SKU
DoorLock-DC BASIC Indoor	IP55	KXC-KN1-BLE
DoorLock-DC PRO Indoor	IP55	KXC-KN4-IP55-BLE
DoorLock-DC PRO Outdoor	IP66	KXC-KN4-IP66-BLE
DoorLock-DC PRO-VDS Outdoor	IP66	KXC-KN4-IP66-BLE-VDS

### Technical details

Function	Electronic door knob with RFID and wireless networking
Room system size	A door for indoor or outdoor areas or both
Radio frequency	2.4 GHz, AES 128 bit encryption
Battery life (operations/years)	Approx. 40,000 actuations or 4-year service life
RFID reader	MIFARE® DESFire® 13,56 MHz
Temperature range	-20 °C to +65 °C
Configuration	About Kentix AccessManager (KXP-16-B/W)
Radio range	up to 20 m
Batteries	BASIC 2x CR2 (3V), PRO 1x CR2 (3V)
Profile cylinder	DIN18252, lengths from 30 mm available in 5 mm increments
Size	See dimensional drawing on the right
Scope of delivery	Radio door knob, batteries
Approvals	CE, DIN15684, VDS (variant)

## DoorLock-DC PRO - compact radio knob for interior and exterior doors



The DoorLock-DC PRO (ART: KXC-KN4) has a compact, electronic outside knob with a diameter of just 31 mm and an integrated RFID reader for MIFARE® DESFire® media. The outer knob is permanently connected to the electronic knob. The KXC-KN4 is available for internal and external doors. Both variants comply with resistance class 2 in accordance with DIN 18252; the variant for external doors also has increased weather protection (IP66). During development, user ergonomics were also further improved by shortening the engagement time, thus enabling the door to be engaged and opened quickly. The DoorLock-DC PRO is ideal for external and end doors with increased access frequency and high security requirements. Thanks to its compact design, it can also be used on framed doors with glass panels, as there is sufficient space between the cylinder and frame even with small frame distances.



KXC-KN1-BLE



KXC-KN4-IPxx-BLE



**Note: Please always order the matching door cylinder.**



Profile cylinder for installation on standard doors with Euro profile cylinder



Profile half cylinder for installation on cabinet doors with Euro profile cylinder



Round cylinder Switzerland for installation in standard doors with Swiss round cylinder



Swiss round half cylinder for installation in cabinet doors with Swiss round half cylinder

An ordering guide on how to measure your door cylinder can be found on the following pages.

# Measuring for the Kentix DoorLock-DC

(Door knob + cylinder)

## Selection of the radio door knob with matching door cylinder in two steps

1



**Select radio door knob**

2



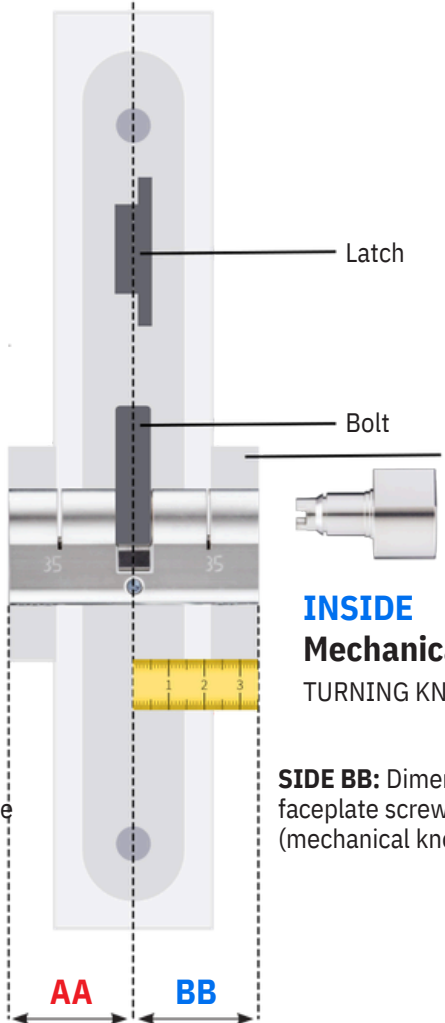
**Select profile cylinder according to the door**



**Master card set is only required once per system!**

## Measuring the door leaf for the locking cylinder

**ATTENTION!**  
When determining the length, always consider the door thickness + thickness of the fitting!



When determining the required cylinder length, the thickness of the fitting used must always be added to the door thickness. Always select the **next larger dimension** to the measured dimension in **5 mm** increments. Always start from the **basic dimension of 30 mm** for Profile cylinders or **32 mm** for Swiss round cylinders on each side (AA/BB), up to the maximum possible length of 70 mm or 72 mm on each side (AA/BB).

**OUTSIDE**  
RFID READER

**Electronics side**

RFID READER

**INSIDE**  
TURNING KNOB

**Mechanical side**

TURNING KNOB


**SIDE AA:** Dimension from the center of the faceplate screw to the outside (electronics side)


**SIDE BB:** Dimension from Center of faceplate screw to the inside (mechanical knob)

EXAMPLE 1	Measured:	AA = 30.5 mm	BB = 38 mm	BB = 40 mm	Total length = 75 mm so select the version up to 80 mm
	Order length:	AA = 35 mm			
	Kentix order number:	KXC -80- <b>AABB</b> KXC -80- <b>3540</b> KXC -80CH- <b>3242</b>	(AA=Electronics page / BB=Rotary knob side)		
EXAMPLE 2	Measured:	AA = 46.5 mm	BB = 65 mm		
	Order length:	AA = 50 mm	BB = 65 mm		Total length = 115 mm i.e. selection of the version up to 140 mm
	Kentix order number:	KXC -140- <b>AABB</b> KXC -140- <b>5065</b> KXC -140CH- <b>4767</b>	(AA=Electronics page / BB=Rotary knob side)		


## 1 Select radio door knob

**OUTSIDE**  
RFID READER






**INSIDE**  
TURNING KNOB

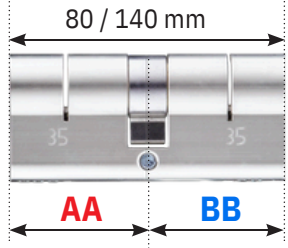


Door knob	SKU
DoorLock-DC BASIC Indoor (IP55)	KXC-KN1
DoorLock-DC PRO Indoor (IP55)	KXC-KN4-IP55
DoorLock-DC PRO Outdoor (IP66)	KXC-KN4-IP66
DoorLock-DC PRO-VDS Outdoor (IP66)	KXC-KN4-IP66

## 2 Select cylinder

**OUTSIDE**  
RFID READER






80 / 140 mm

AA BB

**INSIDE**  
TURNING KNOB



ART-NO: KXC-80-**AABB**  
ART-NO: KXC-140-**AABB**

Possible total length from 60 - 80 mm (AA+BB)  
Possible total length from 85 - 140 mm (AA+BB)

Profile cylinder for standard doors with Euro profile cylinder: Select suitable length	SKU
Profile cylinder standard up to 80 mm cylinder length with mechanical knob, incl. forend screw	KXC-80-AABB
Profile cylinder standard up to 140 mm cylinder length with mechanical knob, incl. forend screw	KXC-140-AABB
Profile cylinder with anti-panic function up to 80 mm cylinder length and mechanical rotary knob, incl. forend screw	KXC-80AP-AABB
Profile cylinder with anti-panic function up to 140 mm cylinder length and mechanical rotary knob, incl. forend screw	KXC-140AP-AABB
Profile half cylinder up to 50 mm, incl. forend screw	KXC-50-AA
Profile half cylinder up to 50 mm with spring return LEFT, incl. forend screw	KXC-50-AA-SRL
Profile half cylinder up to 50 mm with spring return RIGHT, incl. forend screw	KXC-50-AA-SRR

Round cylinder (Switzerland) for standard doors with Swiss round cylinder: Select suitable length	SKU
Round cylinder Switzerland standard up to 84 mm cylinder length with mechanical knob, incl. forend screw	KXC-80CH-AABB
Round cylinder Switzerland standard up to 144 mm cylinder length with mechanical knob, incl. forend screw	KXC-140CH-AABB
Round half cylinder Switzerland up to 50 mm, incl. forend screw	KXC-50CH-AA

### SPECIAL LENGTHS ON REQUEST!

Possible lengths Profilzylinder:	Possible lengths of Swiss round cylinders:
AA BB	AA BB
30 30	32 32
35 35	37 37
40 40	42 42
45 45	47 47
50 50	52 52
55 55	57 57
60 60	62 62
65 65	67 67
70 70	72 72

## Configure your DoorLock-DC

For the best experience and to configure your DoorLock-DC according to your requirements, please visit our website.

Scan the QR-Code or go to [kentix.com/doorlock](https://kentix.com/doorlock)



Radio door handle  
see page 36



Radio door knob  
see page 26

## DoorLock-LE radio door handle

The wireless door handle is compatible with most European lock standards. It is available in different versions and is therefore suitable for use on all standard doors, from timber, steel and aluminum to fire doors. Installation is very simple and does not require any special tools. Operation is intuitive thanks to clear LED signaling. It also offers many practical functions such as a timer or daily release with permanent engagement.



### Technical details

Function	Electronic door handle with RFID and wireless networking
Room system size	One door
Radio frequency	2.4 GHz, AES 128 bit encryption
Battery life (operations / years)	Approx. 40,000 actuations or 4-year service life
RFID reader	MIFARE® DESFire® 13.56 MHz
Temperature range	-20 °C to +65 °C
Configuration	Via Kentix AccessManager (KXP-16-B/W)
Radio range	up to 20m
Batteries	1x CR123 (3V)
Door thickness	up to 110 mm possible ATTENTION: Matching square (8/8.5/9 mm) also order
Material	Stainless steel lever handle
Approvals	CE, DIN15684
Protection class	IP55/IP66 available for indoor/outdoor use see ordering guide
Scope of delivery	Radio door handle, mechanical door handle, roses, battery (1xCR123)

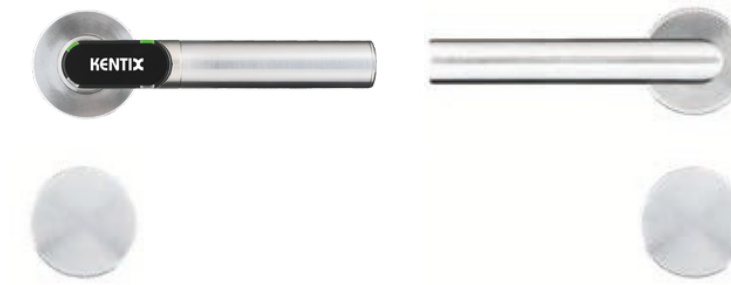
### Accessories

Type	Scope of delivery	SKU
Spare battery	1 piece	KXC-CR123

## Round rosette

Electronics side

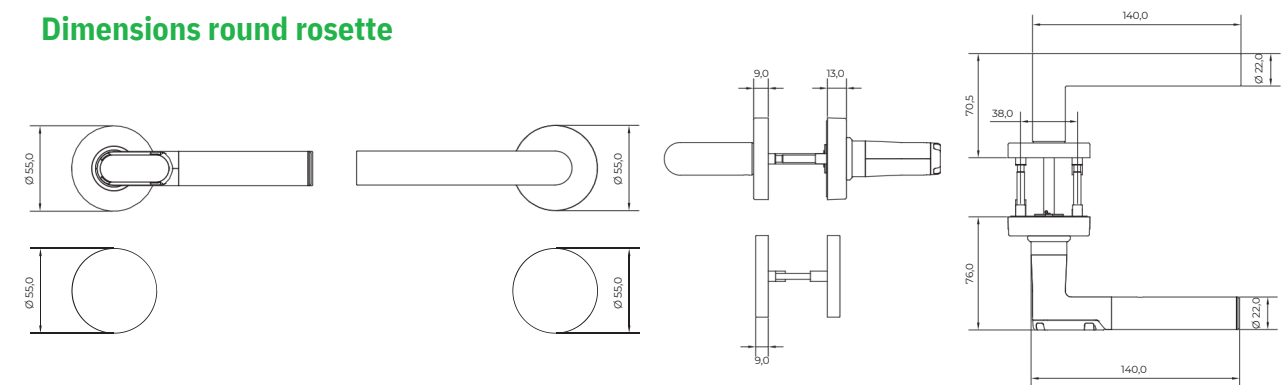
Mechanical side



The electronic lever handle with round rosette is suitable for use on all-glass doors in conjunction with special glass door locks.

The electronic lever handle is available as a round rose variant. A key rosette is also available, blind or with cylinder perforation.

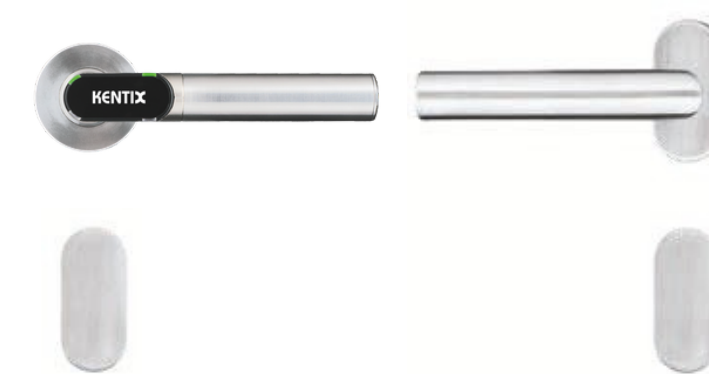
### Dimensions round rosette



## Oval rosette

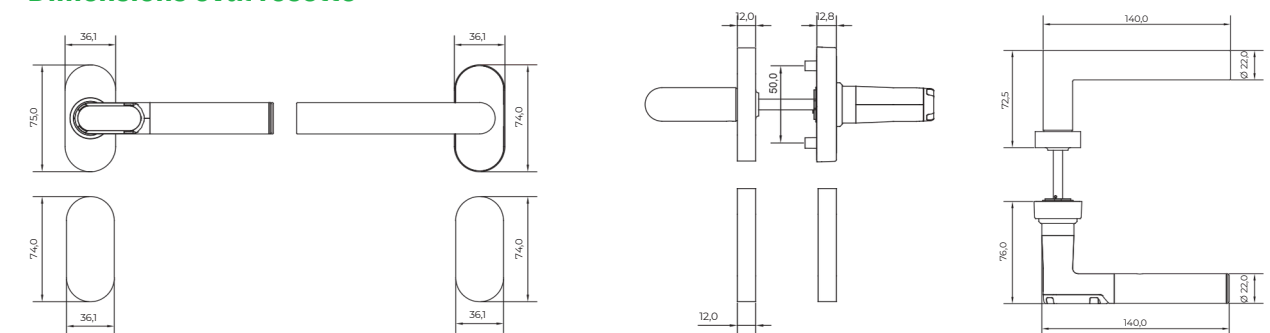
Electronics side

Mechanical side



The electronic lever handle is available with an oval rose. A key rosette, blind or with cylinder perforation, is also available. The lever handle with oval rose is particularly suitable for tubular frame doors.

### Dimensions oval rosette



## DoorLock-LE radio door fitting

The wireless door fitting can be installed in almost all commercially available doors without wiring or special tools. Existing DIN drill holes can usually be used. The door fitting controls access electronically and can be controlled offline or online via a wireless network. It fits seamlessly into the Kentix DoorLock portfolio and is available in different versions and designs, e.g. also for fire doors.



### Technical details

Function	Electronic door fitting with RFID and wireless networking
Room system size	One door
Radio frequency	2.4 GHz, AES 128 bit encryption
Wide door swing	Wide 64.4 mm wide; narrow 42.4 mm
Protection class	IP55 for indoor areas
Material lever handle	Stainless steel
Door thicknesses	up to 110 mm possible - please always order matching square
Battery life (confirmations/years)	Approx. 40,000 actuations or 4-year service life
RFID reader	MIFARE® DESFire® 13.56 MHz
Temperature range	-20°C to +65°C
Configuration	About Kentix AccessManager (KXP-16-B/W)
Radio range	up to 20 m
Batteries	1x CER123 (3V)
Approvals	CE, DIN15684
Scope of delivery	Wireless door fitting, mechanical door fitting, incl. battery (1x CR123)

### Accessories

Type	Scope of delivery	SKU
Replacement battery	1 piece	KXC-CR123

## Wide door fitting

### Electronics side

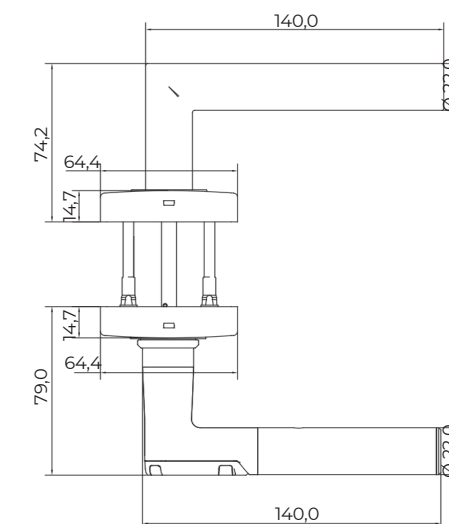
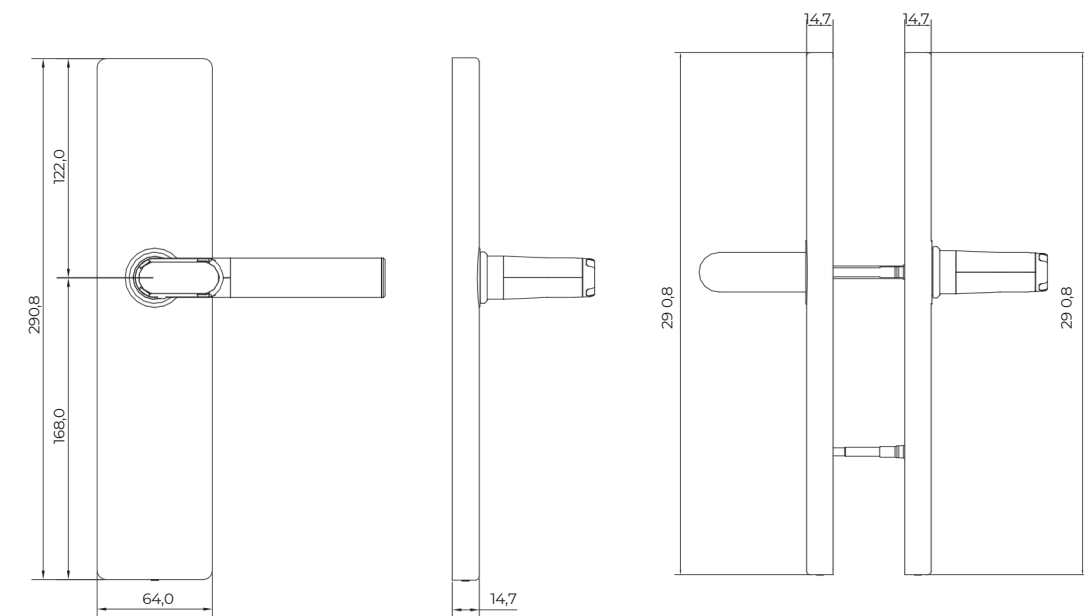


### Mechanical side



The electronic door fitting is available in the wide version. Blind versions and versions with perforated cylinder holes are available here. The wide version of the electronic door fitting is particularly suitable for existing doors if existing holes in the door need to be covered.

### Wide door fitting dimensions



## Narrow door fitting

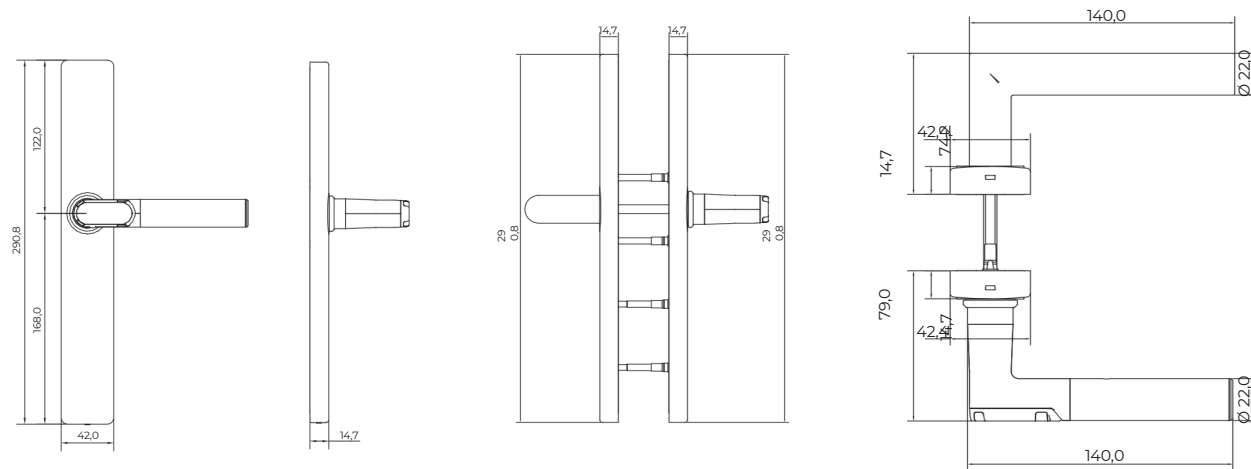
Electronics side

Mechanical side



The electronic door fitting is available in a narrow version. There is a choice of blind versions and versions with cylinder perforations. The narrow version of the electronic fitting is particularly suitable for tubular frame doors.

### Dimensions narrow door fitting



## Door fitting short plate

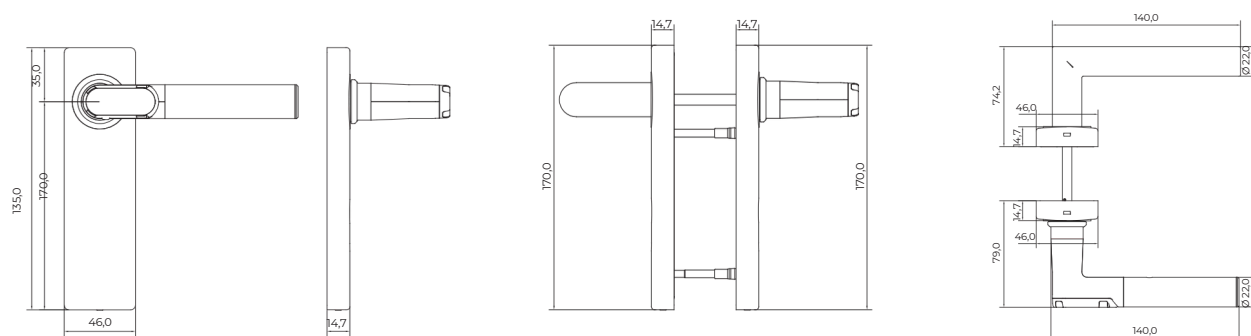
Electronics side

Mechanical side



The electronic door fitting is available in a short backplate version. Blind versions and versions with perforated cylinder holes are available. The electronic door fitting with short backplate is particularly suitable for use in fire and smoke protection doors and can be installed in emergency exit locks in conjunction with the correspondingly certified lock in accordance with DIN EN 179.

### Dimensions door fitting short plate

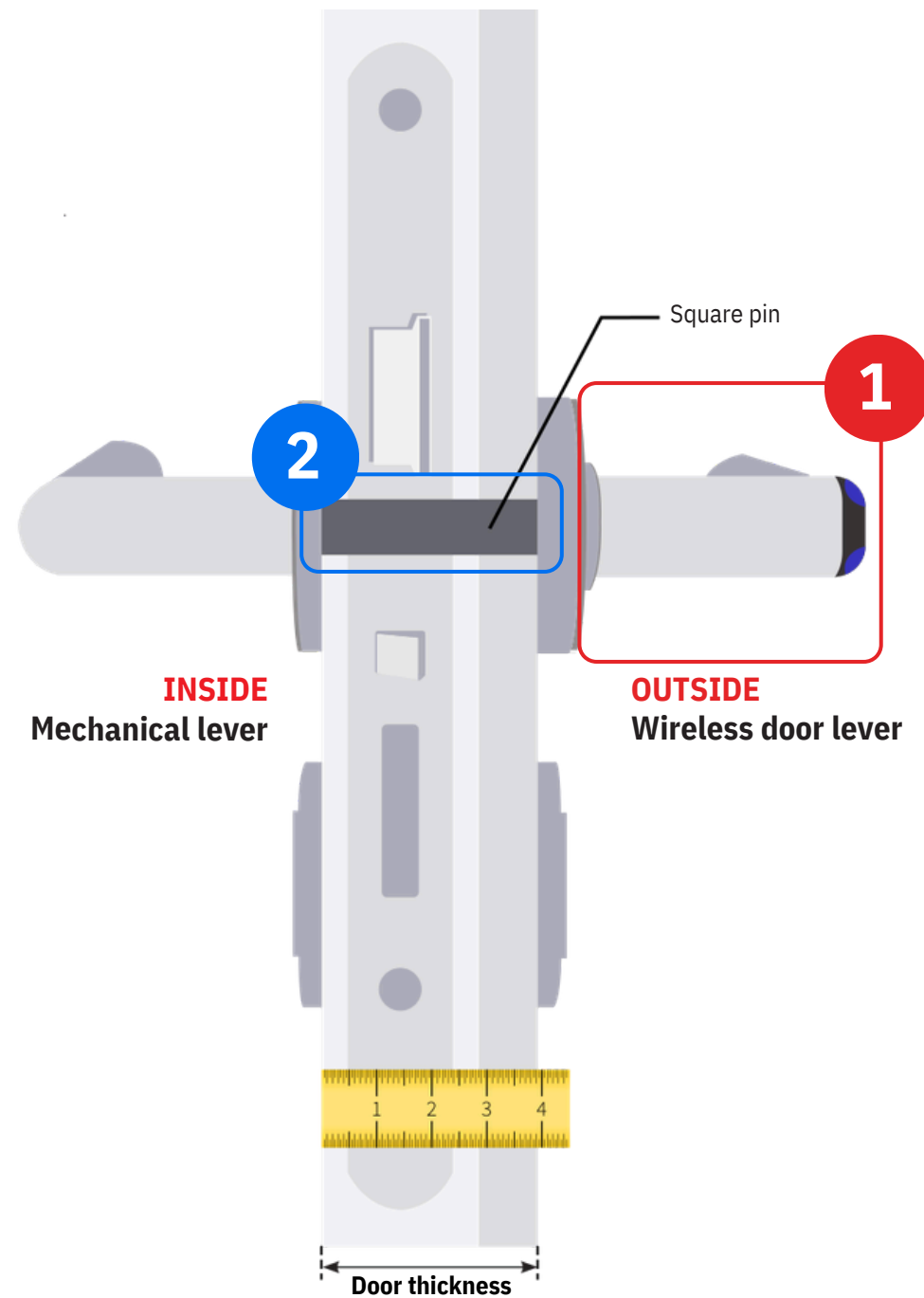


Radio door fitting  
See page 34

# Measuring for the Kentix DoorLock-LE

(Door handle)

## Selection of the Kentix DoorLock lever handle in two steps



### INFO

Delivery is always as a set consisting of a radio door handle, mechanical inside handle and the necessary screws. The key rosettes are not included in the scope of delivery; the existing ones can be used or suitable ones can be ordered. For standard doors with 8 mm square spindle, this is already included in the lever handle. For all other doors, please also order the appropriate square spindle.

## 1

### Select lever handle and door fitting

Version	Handle shape	Protection	Direction	Center distance
<input type="checkbox"/> Round rosette (R) <input type="checkbox"/> Oval rosette (O) <input type="checkbox"/> Slim with punch (FS) <input type="checkbox"/> Slim without punch (FSB) <input type="checkbox"/> Wide without punch (FWB) <input type="checkbox"/> Short with punch (FL) <input type="checkbox"/> Short without punch (FLB)	<input type="checkbox"/> L-shape (L) <input type="checkbox"/> U-shape (U) <input type="checkbox"/> U-shape round (UR)	<input type="checkbox"/> Indoor IP55 (I) <input type="checkbox"/> Außen IP66 (O) <input type="checkbox"/> Indoor IP55, Fire (F)	<input type="checkbox"/> Right (R) <input type="checkbox"/> Left (L)	
Slim with punch Slim without punch Wide with punch Wide without punch Short with punch Short without punch	L-shape (L) U-shape (U) U-shape round (UR)		Right Left	<input type="checkbox"/> 72 mm (standard) <input type="checkbox"/> 78 mm <input type="checkbox"/> 85 mm <input type="checkbox"/> 88 mm <input type="checkbox"/> 92 mm <input type="checkbox"/> 94 mm
KXC-LE	R L	I	R	

## 2

### Select square, if required!

Square pin	NOTE									
<table border="1"> <thead> <tr> <th>Typ</th> <th>Square (mm)</th> <th>Door thickness (mm)</th> </tr> </thead> <tbody> <tr> <td> </td> <td> <input type="checkbox"/> 8.0  <input type="checkbox"/> 8.5  <input type="checkbox"/> 9.0                             </td> <td>_____</td> </tr> <tr> <td>KXC-S</td> <td>8.0</td> <td>75-83</td> </tr> </tbody> </table>	Typ	Square (mm)	Door thickness (mm)		<input type="checkbox"/> 8.0 <input type="checkbox"/> 8.5 <input type="checkbox"/> 9.0	_____	KXC-S	8.0	75-83	<p>For standard doors with an 8 mm square, this is already included. For all other doors, please select the appropriate square here.</p>
Typ	Square (mm)	Door thickness (mm)								
	<input type="checkbox"/> 8.0 <input type="checkbox"/> 8.5 <input type="checkbox"/> 9.0	_____								
KXC-S	8.0	75-83								

## Configure your DoorLock-LE

For the best experience and to configure your DoorLock-LE according to your requirements, please visit our website.

Scan the QR-Code or go to [kentix.com/doorlock](https://kentix.com/doorlock)



Wireless door handle  
page 33

## Configuration examples

### Variants of electronic door handles



Electronic lever handle in the variant with round rose



Electronic lever handle in the variant with oval rose



Electronic lever handle for glass door lock (on request)

### Electronic door fitting variants



Electronic door fitting narrow in blind design



Wide electronic door fitting in blind version



Electronic door fitting with short plate in blind version

### Handle variants



L-shape



U-shape angular



U-shape round

### Key rosette Door handle



Round rosette profile cylinder



Round rosette blind



Oval rosette profile cylinder



Oval rosette blind

### Keyhole door fitting



Profile cylinder



Blind

## Overview of possible combinations

Electronics outside	Mechanics inside - Standard -					Electronics inside - On request -			
	+					+			
		+					+		
			+					+	
				+					+
					+				

### Mechanical lever handle inside



### Mechanical door fitting



Please ask for special orders.

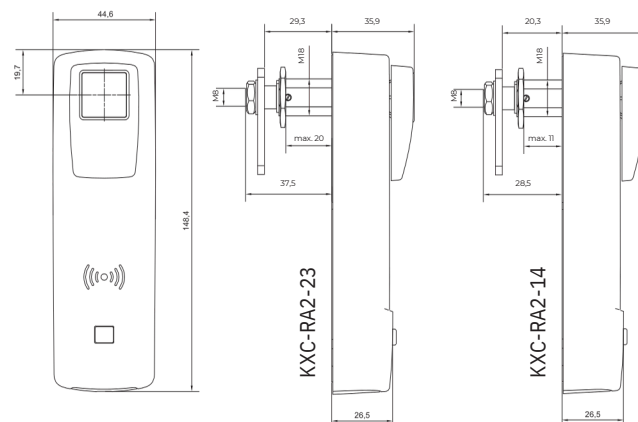


## DoorLock-RA2 wireless cabinet lock

The wireless cabinet lock offers a simple locking solution for retrofitting data, technology and distribution cabinets. The battery operation reduces the installation effort to a minimum. A lithium AA battery is used, which enables a service life of up to eight years or 50,000 operations. The battery is mechanically secured against removal (special tool). Various locking levers can be selected for the lock. This means that it can be adapted to almost any cabinet with a sash lock.

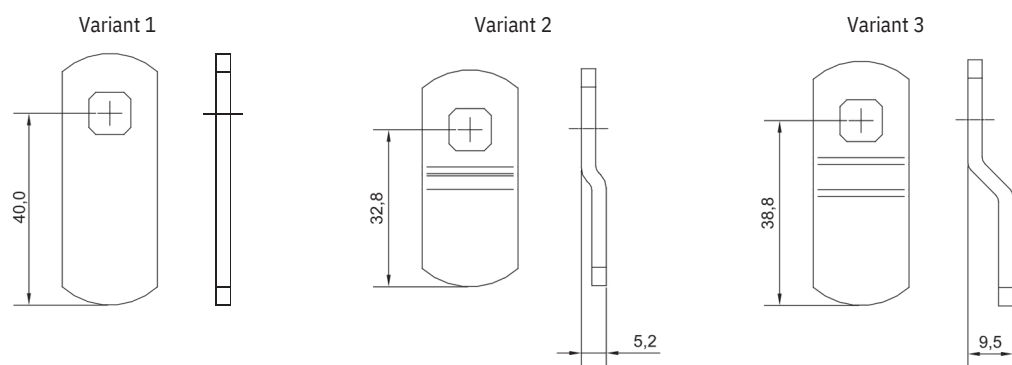
### Products

Type	SKU
Locker lock with 23mm bolt/M8	KXC-RA2-23-BLE
Locker lock with 14mm bolt/M8	KXC-RA2-14-BLE



### Accessories

Type	Scope of delivery	SKU
Spare battery (set)	2 pieces CR2	KXC-CR2-2
Battery changing tool	1 piece	KXC-BAT3



### Technical details

Function	Electronic locker lock with RFID and wireless networking
Room system size	A rack or cabinet
Radio	BLE 2.4 GHz, AES 128 bit encryption
RFID reader	MIFARE® DESFire® 13.56 MHz
Temperature range	0 °C to +55 °C
Configuration	About Kentix AccessManager (KXP-16-B/W)
Battery	2x CR2 Lithium (3.0V)
Battery life (confirmations/years)	Up to 50,000 or 6 years
Approvals	CE, DIN 15684
Scope of delivery	1x cabinet lock, 1x locking lever variant 3, 2x CR2 (3V) lithium battery, fixing material



Also available as a bus rack lock  
page 54

## DoorLock-WA-IP bus wall reader



The bus wall reader enables access control using an RFID medium or PIN entry. Two-factor authentication is also possible. The AccessManager (bus) forms the central unit with network connection. Administration is carried out centrally via KentixONE®. The AccessManager communicates with the wall reader via a bus connection. This can be easily installed in the control cabinet, in the switch box or with a surface-mounted housing (optional) on the inside of the door. The door lock or door opener can be supplied with 24 VDC directly from the AccessManager via the integrated PoE splitter, so that no additional cables are required for the power supply.

### Products

Type	SKU
Basic package wall reader with AccessManager (bus)	KXC-WA3-IP1
Extension wall reader for basic package	KXC-WA3-IP2
Basic package wall reader (outdoor IP67) with AccessManager (bus)	KXC-WA4-IP1
Extension wall reader for basic package (outdoor IP67)	KXC-WA4-IP2

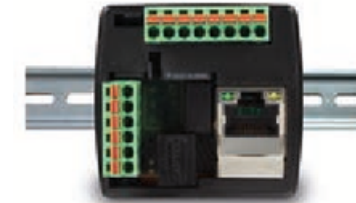
### Housing

Housing	Protection class	Color	SKU
Aufputzgehäuse KXC-WA3-IPx	IP44	Painted in RAL 9006	KXC-WA3-SMC

### Technical details

Function	Bus wall reader for mounting in switch box or with surface-mounted housing, AccessManager
Room system size	One door
RFID reader (multi-reader)	MIFARE® DESFire® 13,56 MHz, MIFARE® Classic, LEGIC prime, LEGIC advant, ISO14443A (CSN / UID), ISO15693 (CSN / UID), Sony FeliCa (CSN / UID), Inside Secure (CSN / UID)
Signaling, LED	Acoustic signal, RGB light
Connection wall reader	Via 4-wire AccessManager, length up to 500 m
Electric strike/lock connection	24VDC/500 mA (1A for short periods) via integrated PoE splitter or externally, Relay: 125 VAC/60 VDC, 1A, changeover contact
Temperature range	Wall reader -25 °C to +60 °C AccessManager 0 - 60 °C, non-condensing
Protection class	Wall reader IP54, AccessManager IP20
Configuration	Integrated web server (HTTPS)
Expandability	Expandable to up to 4 readers
Wall reader size	88 x 99 x 27 mm (flush-mounted) 88 x 99 x 40 mm (surface mounting)
Relay module size	47 x 48 x 33 mm, installation in switch box or on DIN rail
Approvals	CE
Scope of delivery KXC-WA3-IP1	Wall reader with PIN, AccessManager, 1x RFID token, 3m SlimLine cable
Scope of delivery KXC-WA3-IP2	Wall reader with PIN (requires KXC-WAx-IP1 as base)
Scope of delivery KXC-WA4-IP1	Wall reader without PIN, AccessManager, 1x RFID token, 3m SlimLine cable
Scope of delivery KXC-WA4-IP2	Wall reader without PIN (requires KXC-WAx-IP1 as base)

### DoorLock-WA-IP1 basic package

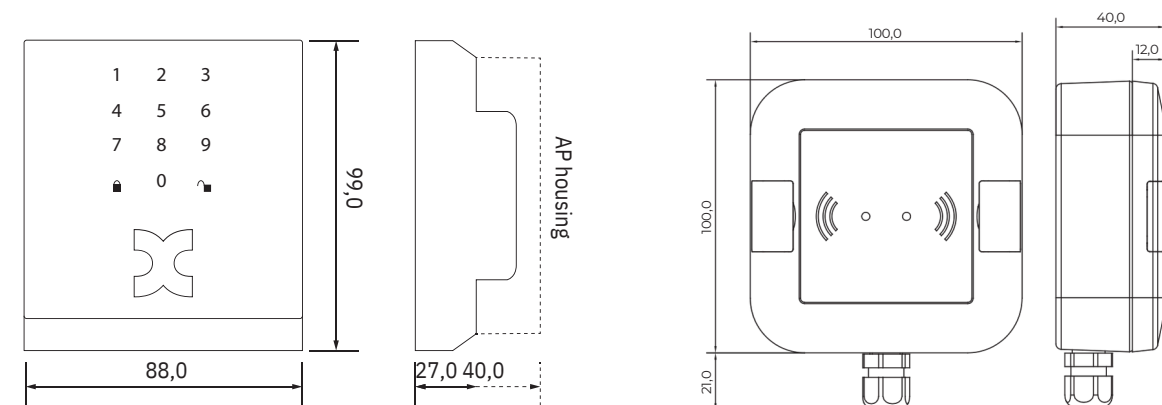
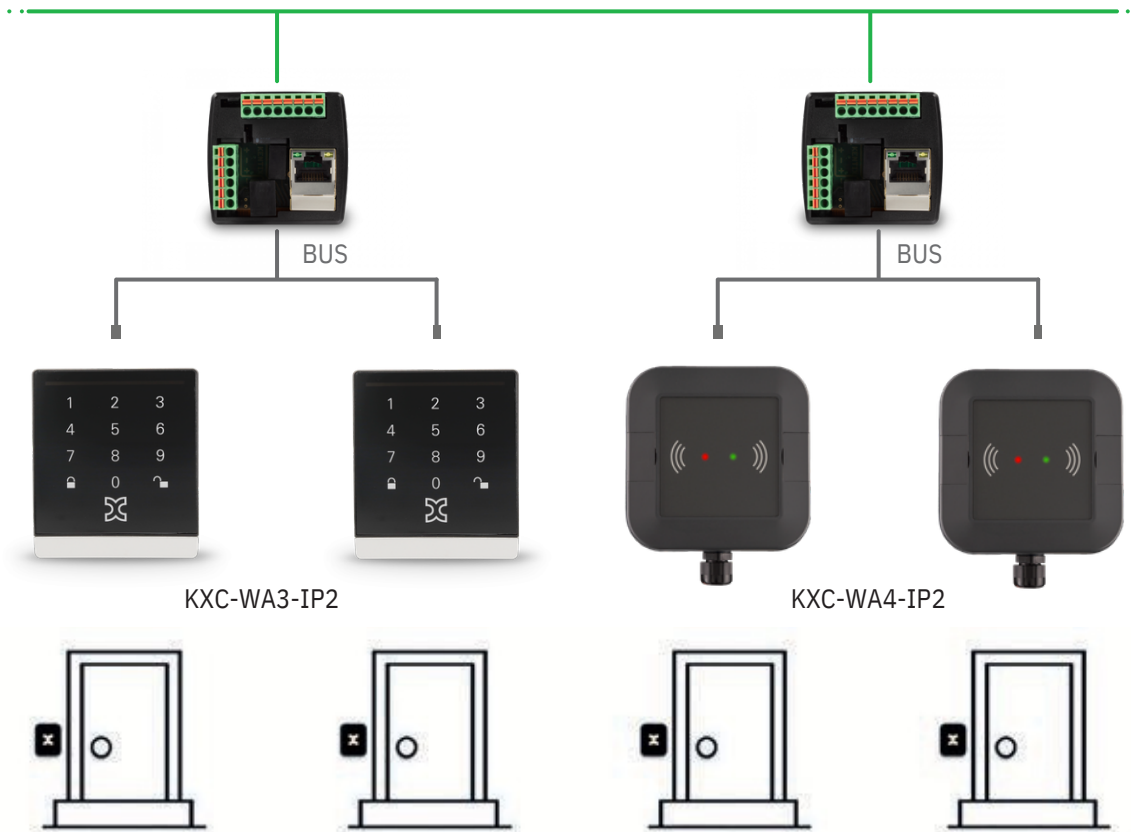


Mounting example in 60 mm switch box or on top-hat rail

The basic package consists of a wall reader, an AccessManager and an RFID token. This set can be combined with an additional extension reader (only wall reader without AccessManager) to integrate another door into the system. Different wall reader types can also be combined. The extension readers are also supplied with power directly via the AccessManager (PoE).

The AccessManagers can be networked with each other as required and managed via KentixONE.

### LAN (PoE)





## DoorLock-WA-IP compact wall reader

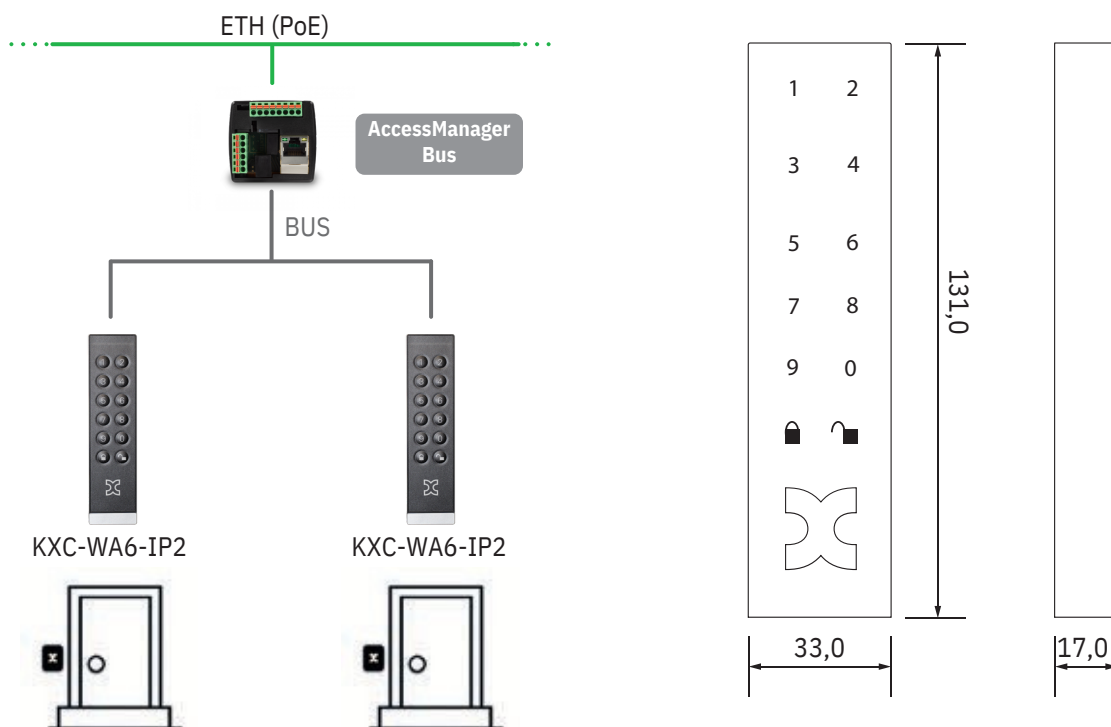
The compact wall reader is suitable for electric door openers, electric locks, electric door and gate drives or elevators, for example. Thanks to its compact design, the reader is particularly suitable for use on narrow metal profiles. Two-factor authentication is also possible. The AccessManager (PoE) forms the central unit with network connection. Administration is carried out centrally via the integrated web server.

### Products

Type	SKU
Basic package wall reader with AccessManager (bus)	KXC-WA6-IP1
Extension wall reader for basic package	KXC-WA6-IP2



Installation on barrier systems    Mounting on door frames    Mounting in safety areas - cages    In the area of separation, metal construction



## Built-in wall reader for integration in switch boxes



Built-in wall reader in standard format for integration in switch ranges with 55x55 mm cut-out. The built-in wall reader enables access control via RFID medium or alternatively via PIN entry. Two-factor authentication is also possible. The AccessManager (PoE) forms the central unit with network connection. Administration is carried out centrally via the integrated web server. The AccessManager communicates with the wall reader via a bus connection. This can be easily installed in the switch box or with a surface-mounted housing (optional) on the inside of the door.

### Products

Type	SKU
Basic package wall reader with AccessManager (bus)	KXC-WA2-IP1
Extension wall reader for basic package	KXC-WA2-IP2



NEW

# iDFace Max - Face Recognition Terminal with Intercom

With the iDFace Max access terminal, we are expanding KentixONE to include facial recognition for access to highly sensitive areas and for protecting critical infrastructure, such as data centers. Like all other Kentix SmartAccess components, iDFace Max can be seamlessly integrated into your network environment via Ethernet (PoE). In addition, with its large 7" LCD display, the terminal can be used as an information terminal and intercom with SIP client.

Facial recognition with KentixONE reduces organizational effort, increases transparency, and makes access to critical infrastructures both safer and more convenient.

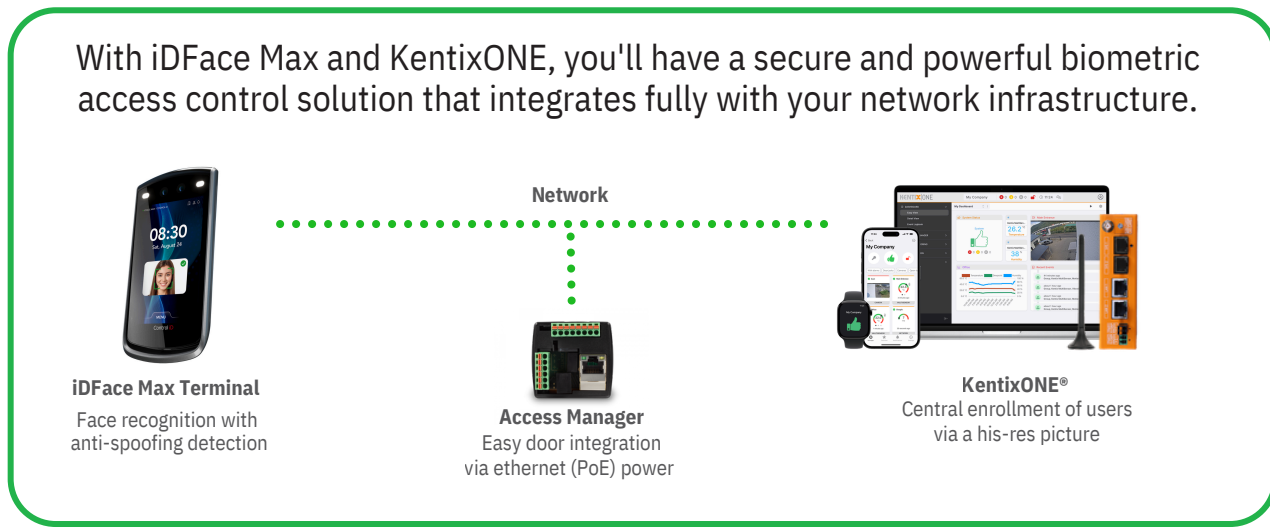
One of the major advantages is the central enrolment via KentixONE and the ability to take a high-resolution JPEG picture with a smartphone. Strong anti-spoofing algorithms ensure high security against manipulation.

### Applications:

- Data Center and critical infrastructure buildings
- Person separation sluice
- Edge Data Center and POP sites
- Industrial buildings
- Rooms with high security requirements
- Barriers system (indoor-outdoor)

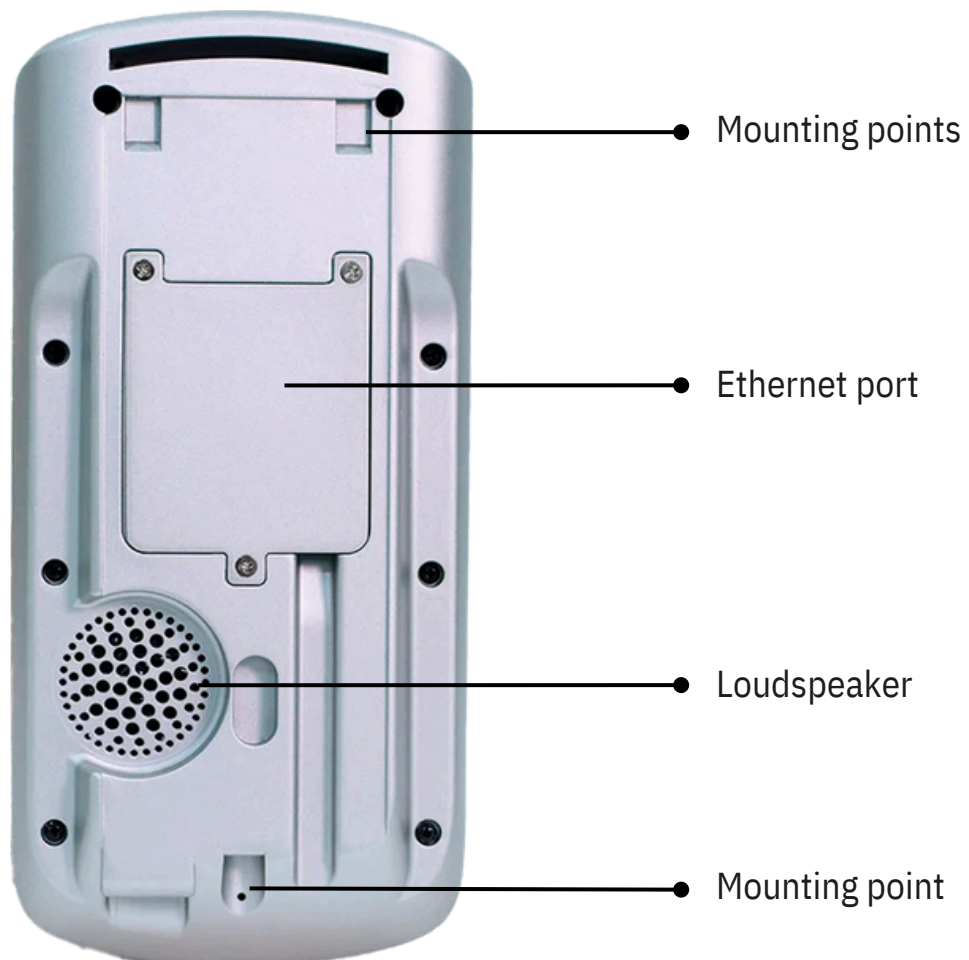
### These are the advantages:

- Unique identity instead of keys or cards with a centralized enrollment via KentixONE
- Access is based on facial recognition of the authorized person. Lost or shared cards/transponders no longer pose a risk.
- Increased security through strong authentication for up to 100.000 faces.
- In KentixONE, face recognition can be used as a standalone factor or in combination (e.g., face + RFID). This allows particularly sensitive areas such as data center security zones, technical rooms, and control rooms to be secured in a targeted manner.
- Contactless access to rooms and warehouses
- Employees pass through doors or racks without contact and without having to search for a medium. This speeds up work processes and is hygienic and ergonomically advantageous – especially in environments where work is carried out around the clock.
- Centralized management and traceability
- All authorizations and accesses can be managed centrally in KentixONE and logged in an audit-proof manner. This means that it is always possible to trace who was in which security area and when.
- Face access can be linked to alarm and environmental monitoring (e.g., climate, fire, sabotage) in KentixONE. Critical events can thus always be evaluated in the context of people movements.

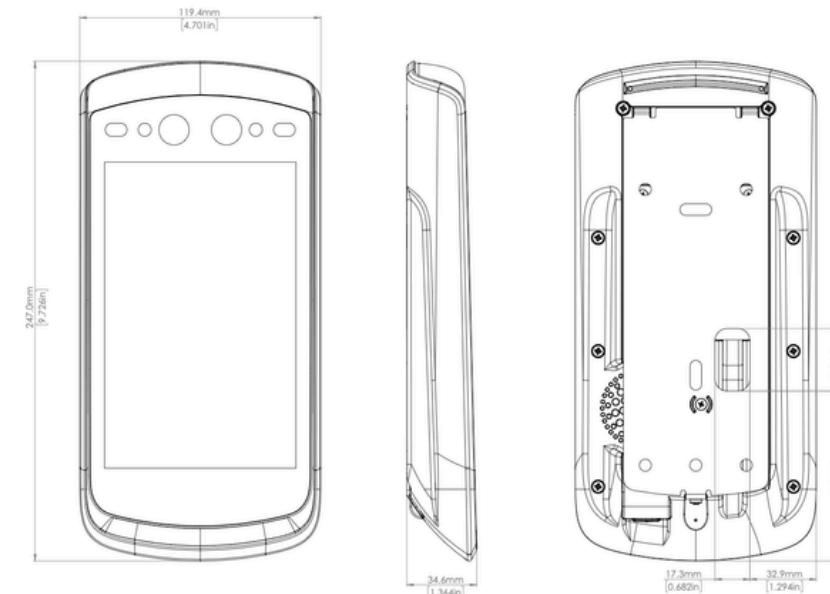


Control iD with iDFace Max is a Brand of Assa Abloy

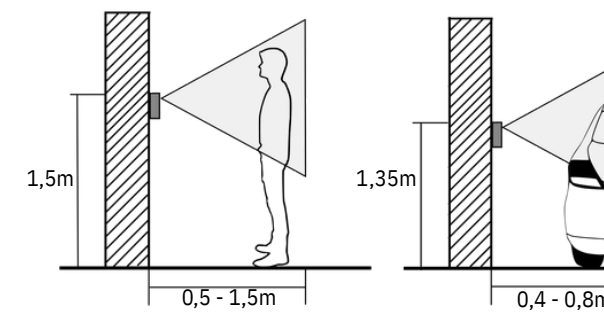
## Face Recognition – iDFace Max with integrated Intercom



### Technical drawings



### Mounting details



### Products

iD Face Max with MIFARE® DESFire®	SKU
iD Face Max as basic package with AccessManager	KXC-WA10-IP1
iD Face Max as extension terminal	KXC-WA10-IP2

### Technical details

Function	Access control by using face recognition and RFID reader
Face recognition	Identification of up to 100,000 faces
KentixONE support	Full support with user profiles and central enrollment
RFID reader	13,56MHz MIFARE® DESFire® EV1/2, MIFARE® Classic
Camera System	High-Res camera systems with LED light and face liveness detection
Display	7" TFT Color LCD Display (800x1280)
Intercom	Integrated SIP client, microphone and loudspeaker
Signaling (LED)	Acoustic signaling device, LED light field (RED/GREEN)
Connection	10/100MBit Ethernet (PoE) RJ45 on rear
Power supply	Power over Ethernet (Class 3)
Dimensions	119.4 x 34.6 x 247mm (WxDxH), weight: 950g
Material	Cast metal and plastic
Temperature range	-20°C to 55°C
Protection class	IP65 for outdoor use
Approval	CE, FCC, UL
Scope of delivery	iDFace Max with AccessManager or Stand-Alone, mounting material



## Rack lock for securing server cabinets

IT cabinet lock in a robust metal/plastic design as a folding lever handle. This means that the handle does not require a swivel range and enables ergonomic handling. The connection is made entirely via patch cable. Up to 16 handles can be connected per Kentix AccessManager. Any number of AccessManagers can be networked together. A reed contact can be connected directly to each rack lock to reliably monitor the closing and locking status of the rack door. Power is supplied via PoE and can therefore be easily integrated into the UPS power supply.

### Products

Type with MIFARE® DESFire®	SKU
Bus rack lock as basic package, clockwise rotation	KXC-RA4-IP1-R
Bus rack lock as basic package, left-hand rotation	KXC-RA4-IP1-L
Bus rack lock as extension, clockwise rotation	KXC-RA4-IP2-R
Bus rack lock as extension, left-hand rotation	KXC-RA4-IP2-L

Type with LEGIC®	SKU
Bus rack lock as basic package, clockwise rotation	KXC-RA4MR-IP1-R
Bus rack lock as basic package, left-hand rotation	KXC-RA4MR-IP1-L
Bus rack lock as extension, clockwise rotation	KXC-RA4MR-IP2-R
Bus rack lock as extension, left-hand rotation	KXC-RA4MR-IP2-L

### Accessories

Type	SKU
BUS distribution box for two doors with door contact	KXC-RA4-DB-BUS
Magnetic door contact, 2m connection cable, RJ45 plug	KDC1-W
RITTAL mechanism (TS8 comfort handle), door with design bevel	KXC-RA4-RITTAL-TS8-DSG
RITTAL mechanical adapter (comfort handle TS8), flat door	KXC-RA4-RITTAL-TS8
RITTAL mechanical adapter for Systemrack VX	KXC-RA4-RITTAL-VX
VERTIV mechanical adapter, front door	KXC-RA4-VERTIV

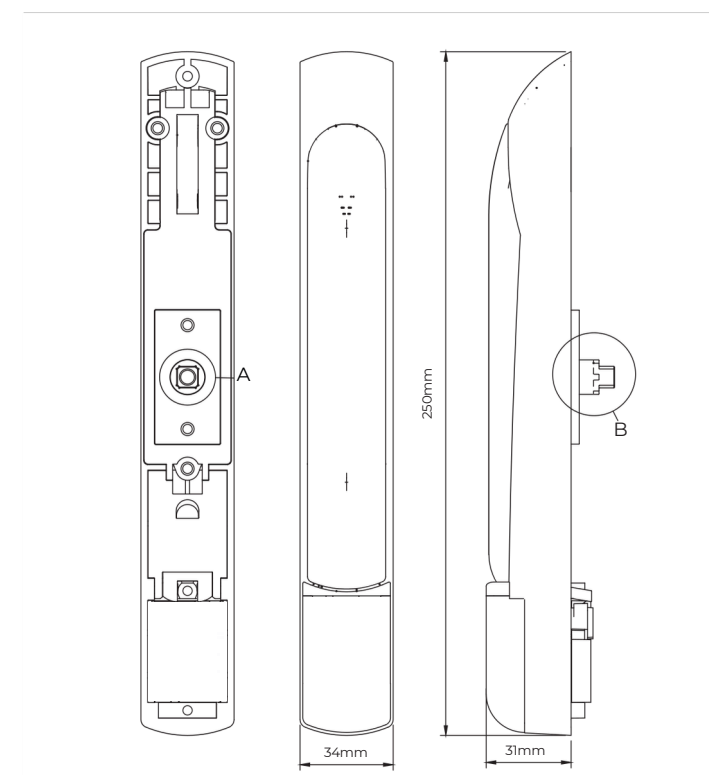
We offer other adapters on request, or project-specific - please contact us.

## More than just a rack lock

The DoorLock-RA4 is a sophisticated, mechatronic IoT system component that can do more than just open and close server and data cabinets. DoorLock-RA4 is a sophisticated, infinitely scalable access control system with intelligent software based on the latest generation of KentixONE® and the Kentix app, which also enables access via smartphone and smartwatch. Data center applications can be automated or seamlessly integrated based on the REST API. Collocation customers or service technicians now only need a smartphone to open IT racks or doors. The colored LED on the rack lock can also be used, for example, for status displays, system statuses in the rack or simply as a guidance signal for customers and technicians.

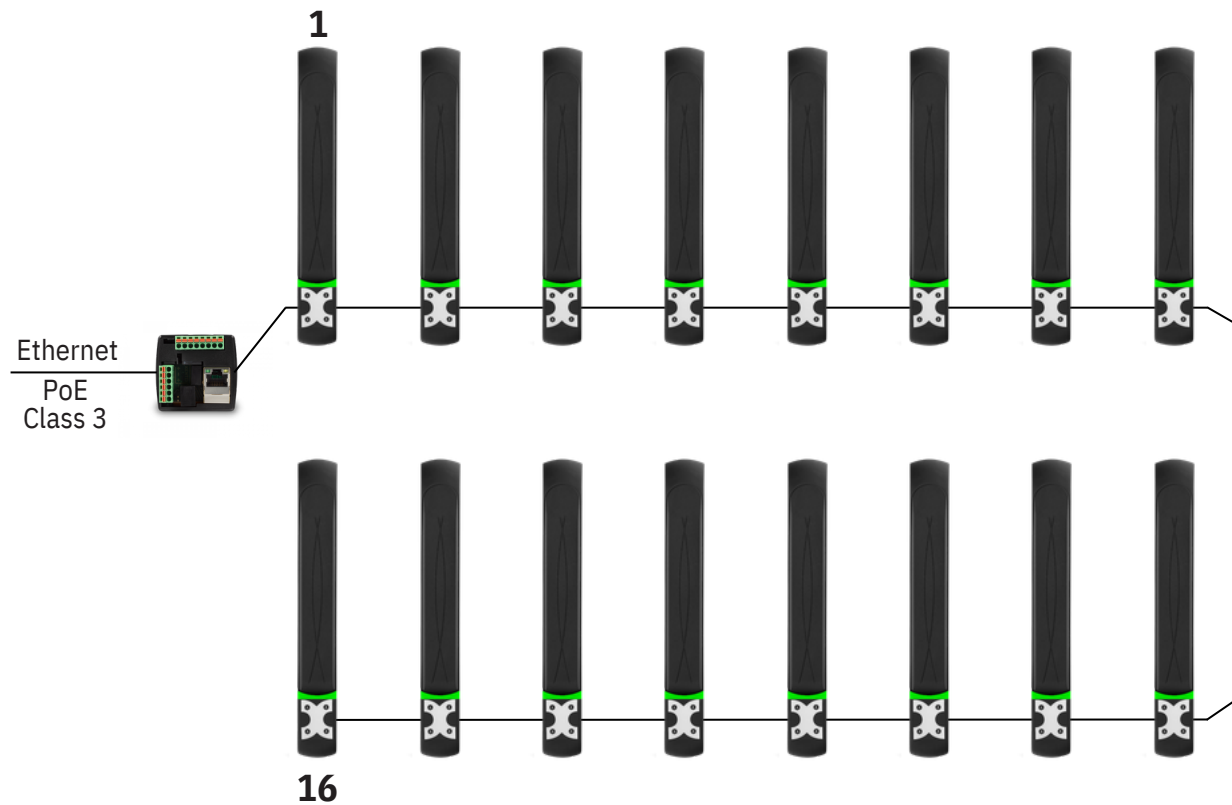
### Technical details

Function	Lift handle for data and server enclosures
Room system size	One rack, one door
RFID reader (MIFARE®)	13,56MHz MIFARE® DESFire® EV1/2, MIFARE® Classic
RFID multi-reader (LEGIC®)	Legic® advant, card in card AFS, prime MIM, HID iClass (UID)
PIN keypad	Touch PIN keypad with 4 keys
Lever status	Sensor for detecting the lever position (open/closed)
Signaling (LED)	Acoustic signaling device, LED light field (RED/GREEN )
Connection	RJ45 on rear, standard patch cable CAT5
Door contact	RJ45 connection via distribution box in connection cable
Power supply	Via AccessManager (PoE) or SmartPDU (system port)
Dimensions	250 x 34 x 31mm (LxWxH)
Material	Plastic, cast metal
Temperature range	-10°C to 55°C
Protection class	IP30 for indoor areas
Approval	CE
Scope of delivery	Rack lock, SlimLine cable 3m, mounting material



## Rack access control rethought!

Only **1 Ethernet PoE** port supplies **16 rack locks!** This means that only a few Ethernet ports and IP addresses are occupied, even in large data centers. This also minimizes power consumption and Ethernet resources.

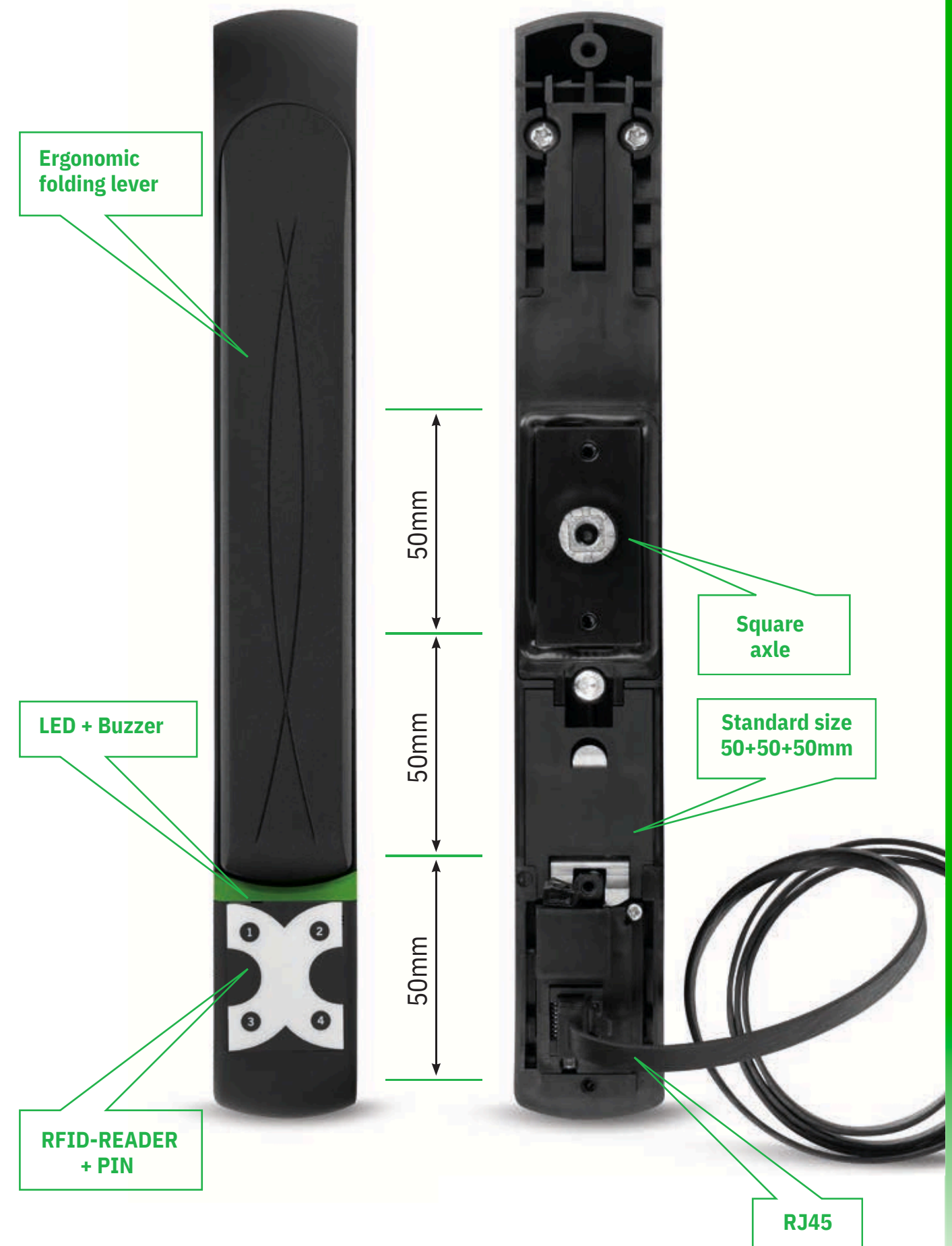


## Direct connection of the rack lock to the Kentix SmartPDU

The DoorLock-RA4 is an important system component with many advantages. In addition to stand-alone use, the handle can also be connected directly to a Kentix SmartPDU. This eliminates the need for cabling between the enclosures, and the front and rear door handles of the enclosure are supplied redundantly via the PDUs. The SmartPDU manages the handles and monitors the door contacts. The only other hardware required is a central AccessManager. This makes integration into an overall Kentix locking system even easier.



## Rack locking with system



## Networking stand-alone



### Rack 2-8

- 1) AccessManager is included in the basic package
- 2) Distribution box with connections for equipping two rack doors
- 3) Rack lever for front door
- 4) Door contact for front door
- 5) Rack lever for rear door
- 6) Door contact for rear door

#### Example of material compilation for 1 rack at a time:

- 1 piece item no.: KXC-RA4-IP1-R Basic package (clockwise rotation)
- 1 piece item no.: KXC-RA4-IP2-L Extension (counterclockwise rotation)
- 1 piece item no.: KXC-RA4-DB-BUS Distribution box for bus
- 2 pieces item no.: KDC1-W Door contact

## Networking via SmartPDU



- 1) Kentix SmartPDU (An additional AccessManager in the network for convenient access management is recommended)
- 2) Distribution box with connections for equipping two rack doors per PDU
- 3) Rack lever for front door
- 4) Door contact for front door
- 5) Rack lever for rear door
- 6) Door contact for rear door

#### Example of material compilation for 1 rack at a time:

- 1 piece item no.: KXC-RA4-IP2-R Basic package (clockwise rotation)
- 1 piece item no.: KXC-RA4-IP2-L Extension (counterclockwise rotation)
- 1 piece item no.: KXC-RA4-DB-BUS Distribution box for bus
- 2 pieces item no.: KDC1-W Door contact

### Supported cabinet types

- Rittal
- Apra
- Vertiv
- ZPAS
- Stengel
- DIGITUS
- Schäfer IT-Systems
- TRITON
- Modulan
- Conovate
- ENOC
- and more

# System components

## Ethernet



Device	DoorLock-WA3-IP	DoorLock-WA4-IP
Type name	KXC-WA3-IP1/2	KXC-WA4-IP1/2
Function	Wall reader (bus) with RFID and Ethernet	Outdoor wall reader (bus) with RFID and Ethernet
Number of doors per Access Manager	2	2
Number of readers per Access Manager	4	4
Configuration	Web server (HTTPS)	Web server (HTTPS)
Smartphone App	✓	✓
PIN field, two-factor authentication	✓	✗
Two-factor authentication with biometrics	✗	✗
Enrollment at the fingerprint reader	✗	✗
Online storage in the AccessManager	unlimited	unlimited
Reader protection class	IP54	IP67
SmartRelay protection class	IP20	IP20
SmartRelay control relay (60VDC/1A)	2	2
RFID reader can be extended on both sides	✓	✓
Cable length reader to SmartRelay	up to 500 m	up to 500 m
Mounting SmartRelay DIN rail	✓	✓
Mounting SmartRelay switch box	✓	✓
RFID reader MIFARE®	DESFire®	DESFire®
Remote opening	✓	✓
Arming/disarming Kentix alarm system	✓	✓
Maximum number of networkable AccessManagers	unrestricted	unrestricted
Digital inputs SmartRelay	2	2
Door profiles	unrestricted	unrestricted
Time profiles (day of the week, time of day)	unrestricted	unrestricted
Access log memory depth	200.000	200.000
Ethernet	✓	✓
Power over Ethernet (PoE)	✓	✓
IEEE 802.1X Authentication	✓	✓
Can be integrated into SiteManager	✓	✓
Video recording IP camera (HTTPS)	✓	✓
Sabotage-monitored	✓	✓
SNMP (V2/V3)	✓	✓
LDAP - Active Directory	✓	✓
Memory expansion (SD card)	✓	✓
Integrated PoE splitter (24VDC/0.5A)	✓	✓
Approval	CE	CE
Power supply	PoE Class3	PoE Class3
Temperature range	-25 °C to 60 °C	-30 °C to 70 °C
Reader size (L x W x H in mm)	88 x 99 x 27	100 x 100 x 40
SmartRelay size (L x W x H in mm)	47 x 48 x 23	47 x 48 x 33



Device	DoorLock-WA6-IP	DoorLock-WA2-IP	DoorLock-RA4-IP	DoorLock-WA10-IP
Type name	KXC-WA6-IP1/2	KXC-WA2-IP1/2	KXC-RA4-IP1/2	KXC-WA10-IP1/2
Function	Wall-Reader (Bus) with RFID and Ethernet	Wall-Reader (Bus) mit RFID and Ethernet	Rack handle (Bus) with RFID and Ethernet	Face Recognition Terminal with RFID and Ethernet
Number of doors per Access Manager	2	2	16	2
Number of readers per Access Manager	4	4	16	4
Configuration	Web-Server (HTTPS)	Web-Server (HTTPS)	Web-Server (HTTPS)	Web-Server (HTTPS)
Smartphone App	✓	✓	✓	✓
PIN field, two-factor authentication	✓	✓	✗	✓
Two-factor authentication with biometrics	✗	✗	✗	✗
Enrollment at the fingerprint reader	✗	✗	✗	✗
Online storage in the AccessManager	unlimited	unlimited	unlimited	unlimited
Reader protection class	IP66	IP20	IP34	IP65
SmartRelay protection class	IP20	IP20	IP20	IP20
SmartRelay control relay (60VDC/1A)	2	2	2	2
RFID reader can be extended on both sides	✓	✓	✗	✓
Cable length reader to SmartRelay	up to 500 m	up to 500 m	up to 500 m	Ethernet
Mounting SmartRelay DIN rail	✓	✓	✗	✓
Mounting SmartRelay switch box	✓	✓	✗	✓
RFID reader MIFARE®	DESFire®	DESFire®	DESFire®	DESFire®
Remote opening	✓	✓	✓	✓
Arming/disarming Kentix alarm system	✓	✓	✓	✓
Maximum number of networkable AccessManagers	unlimited	unlimited	unlimited	unlimited
Digital inputs SmartRelay	2	2	✗	2
Door profiles	unlimited	unlimited	unbegrenzt	unlimited
Time profiles (day of the week, time of day)	unlimited	unlimited	unlimited	unlimited
Access log memory depth	200.000	200.000	200.000	200.000
Ethernet	✓	✓	✓	✓
Power over Ethernet (PoE)	✓	✓	✓	✓
IEEE 802.1X Authentication	✓	✓	✓	✓
Can be integrated into SiteManager	✓	✓	✓	✓
Video recording IP camera (HTTPS)	✓	✓	✓	✓
Sabotage-monitored	✓	✓	✓	✓
SNMP (V2/V3)	✓	✓	✓	✓
LDAP - Active Directory	✓	✓	✓	✓
Memory expansion (SD card)	✓	✓	✓	✓
Integrated PoE splitter (24VDC/0.5A)	✓	✓	✓	✓
Approval	CE	CE	CE	CE
Power supply	PoE Class3	PoE Class3	PoE Class3	PoE Class3
Temperature range	-25 °C bis 60 °C	-25 °C bis 60 °C	-10 °C bis 50 °C	-25 °C bis 60 °C
Reader size (L x W x H in mm)	131 x 33 x 17	50 x 50 Ausschnitt	250 x 34 x 30	119.4 x 34.6 x 247
SmartRelay size (L x W x H in mm)	47 x 48 x 33	47 x 48 x 33	47 x 48 x 33	47 x 48 x 33

## Radio system components



Device	AccessManager	DoorLock-DC BASIC	DoorLock-DC PRO
Type name	KXP-16-B/W	KXC-KN1	KXC-KN4
Function	Access system for web based administration and networking of the wireless DoorLocks	Door knob with RFID and radio networking	Compact door knob with RFID and radio networking up to resistance class 5
Number of DoorLocks/doors	16	-	-
Configuration	Web server (HTTPS)	AccessManager, Programming card	AccessManager, Programming card
Smartphone App	✓	✗	✗
Wireless networkable	✗	✓	✓
Standard mortise lock (DIN 18252 and DIN 1303)	✗	✓	✗
Offline storage device	-	1,000 persons	1,000 persons
Online storage in the AccessManager	5,000 persons	-	-
Suitable for external doors (IP66)	✗	✓	✓
Suitable for fire doors	✗	✓	✓
Anti-panic version for escape doors	✗	✓	✓
RFID reader can be extended on both sides	✗	✓	✓
Battery life (years)	-	up to 4 years	up to 6 years
Battery status message	✓	✓	✓
Door thickness	-	up to 140 mm	up to 110 mm
RFID reader MIFARE®	-	Classic®, DESFire®	Classic®, DESFire®
Remote opening	✓	✓	✓
Arming/disarming Kentix alarm system	✓	✓	✓
Maximum number of networkable AccessManagers	unrestricted	-	-
Radio range	approx. 20 m	approx. 20 m	approx. 20 m
Door profiles	unrestricted	-	-
Time profiles (day of the week, time of day)	unrestricted	-	-
Access log memory depth	unrestricted	-	-
Ethernet	✓	✗	✗
Power of Ethernet (PoE)	✓	✗	✗
IEEE 802.1X Authentication	✓	✗	✗
Can be integrated into SiteManager	✓	✗	✗
Video recording IP camera (HTTP/S)	✓	✗	✗
Sabotage-monitored	✓	✓	✓
SNMP (V2/V3)	✓	✗	✗
LDAP - Active Directory	✓	✗	✗
Memory expansion (SD card)	✓	✗	✗
Radio frequency	2.4GHz	2.4GHz	2.4GHz
Approvals	CE	CE, DIN15684	CE
Batteries/power supply	PoE Class 2	2 x CR2 (3V)	2 x CR123A
Temperature range	0 °C to 50 °C	-25°C to 65 °C	-25°C to 65 °C
Size (L x W x H in mm)	90 x 90 x 45	30-140	30-110

DoorLock-LE	DoorLock-LE	DoorLock-RA
KXC-LE-XXXX	KXC-LE-XXXX	KXC-RA2
Door handle with RFID and radio networking	Door handle with RFID and radio networking	Locker lock with RFID and radio networking
-	-	-
AccessManager, Programming card	AccessManager, Programming card	AccessManager, Programming card
✗	✗	✗
✓	✓	✓
✗	✗	✗
1,000 persons	1,000 persons	1,000 persons
-	-	-
✓	✓	✓
✓	✓	✓
✓	✓	✗
✓	✓	✗
up to 6 years	up to 6 years	up to 8 years
✓	✓	✓
up to 110 mm	up to 110 mm	-
Classic®, DESFire®	Classic®, DESFire®	Classic®, DESFire®
✓	✓	✓
✓	✓	✓
-	-	-
approx. 20 m	approx. 20 m	approx. 20 m
-	-	-
-	-	-
-	-	-
✗	✗	✗
✗	✗	✗
✗	✗	✗
✗	✗	✗
✗	✗	✗
✓	✓	✓
✗	✗	✗
✗	✗	✗
✗	✗	✗
2.4GHz	2.4GHz	2.4GHz
CE	CE	CE
CR123A	CR123A	AA Lithium
5°C to 55 °C	5°C to 55 °C	-20°C to 65 °C
30-110	71 x 71 x 26	148.4 x 44.6 x 35.9

## Application example: Access for office, industry or logistics

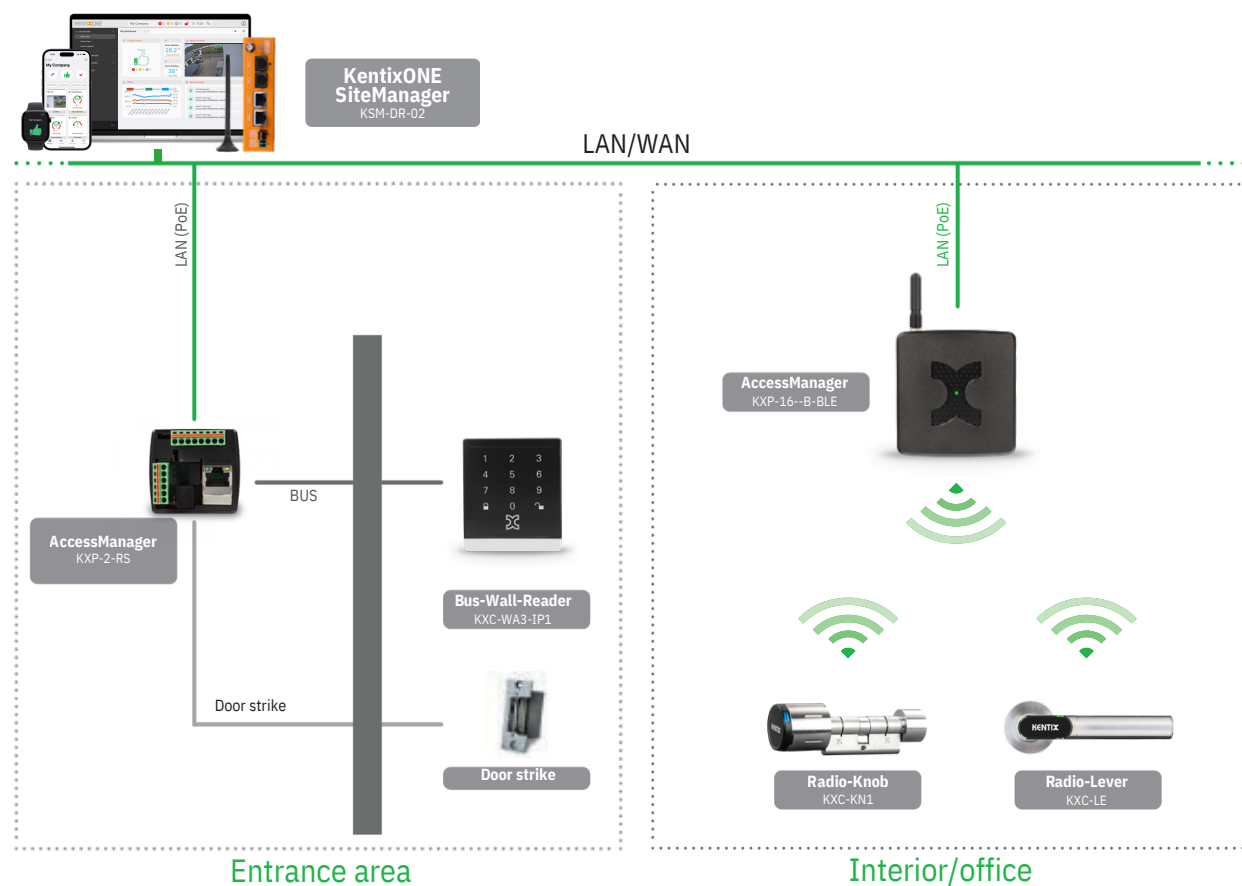
Securing building entrances and rooms in the same or other buildings against unauthorized access with an online solution

The wireless door knob with profile cylinder, the wireless door handle and the wireless wall reader are available as locking components. These are connected wirelessly to the Kentix AccessManager.

The AccessManager offers central management of all the system's locking components via a web interface and contains a central logbook. If required, a video image can be assigned to each booking. Several AccessManagers can be

connected to form a system, with one system taking over the central management. This makes it very easy to extend the system to other rooms or buildings. The bus wall readers and AccessManager (bus) are fully compatible with the DoorLock series. This means that additional rooms can be equipped and integrated with the wirelessly networked DoorLock components if required.

### Topology example



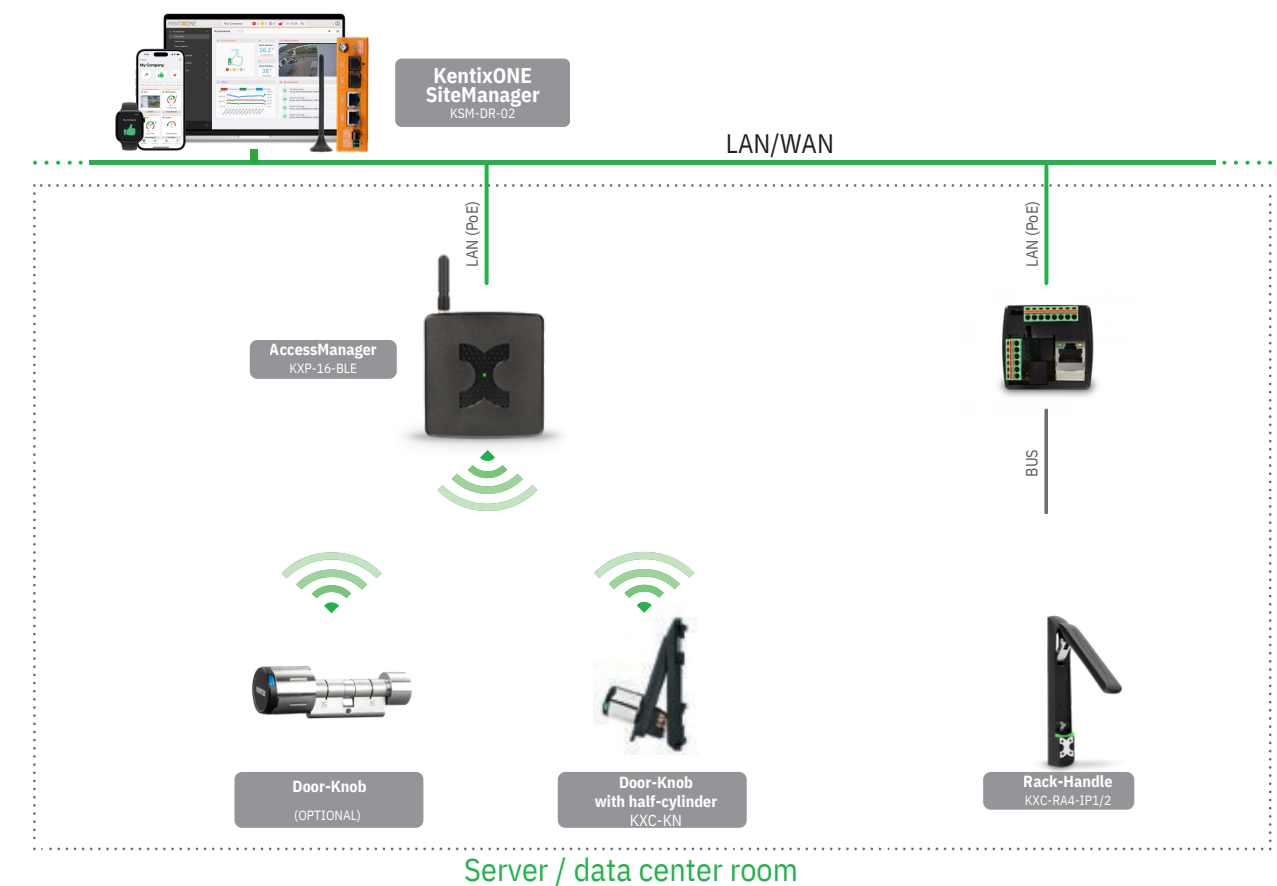
## Application example: Locking solution for IT/OT rooms and racks

Protection of one or more IT/OT racks (server cabinets) against unauthorized access, can be extended to other rooms or areas if required and can be combined with video surveillance

The wireless door knob with profile half cylinder and the wireless cabinet lock are available as locking components for access control to IT racks. These components are connected wirelessly to the Kentix AccessManager. The AccessManager provides central management of all locking components in the system via a web interface and contains a central logbook of all booking events.

If required, each booking can be linked to a video image. Several AccessManagers can be interconnected to form a system so that changes only need to be made at one point. This means that the system can be expanded at any time to include additional server cabinets or doors to adjacent rooms.

### Topology example





## Environmental monitoring made ingeniously simple - with Kentix MultiSensor® technology

In contrast to failures caused by software errors, downtimes due to physical defects are usually longer and more cost-intensive. Kentix MultiSensor® technology offers an optimal solution for the physical protection of your IT infrastructure, as it uses just a few components to detect and report all major threats at an early stage before expensive failures occur. Real-time information and redundant reporting channels such as SMS and push messages are an integral part of our SiteManager. This means you always receive reliable alarms, even if the company's internal network fails. Kentix devices are fully IT-based and can also be easily integrated into distributed IT infrastructures. The complete software is already included, so there are no additional costs. The configuration and administration of the entire system is carried out centrally and conveniently via a web interface. Close a gap in your IT security with Kentix and comply with ISO 27001 and avoid liability risks! Kentix systems replace several individual solutions such as temperature sensors, intrusion detection systems or fire alarm systems and thus save around two thirds of the usual costs.


**The following systems are already integrated:**

- Climate monitoring
- Intrusion alarm
- Early fire detection
- Power/grid monitoring
- Access system
- Server Life Check

**Possible applications:**


- Server room, technical side rooms, IT rack
- Data center and container data center
- Critical infrastructure
- Industry and distributed systems
- Warehouse, logistics, barrier systems
- Hospital, practice, medicine cabinets
- Office and administration buildings, branches


The ingeniously simple Kentix MultiSensor® technology detects the most important physical threats in the room and rack with just one system.



MultiSensor: Monitors up to 20 physical threats.

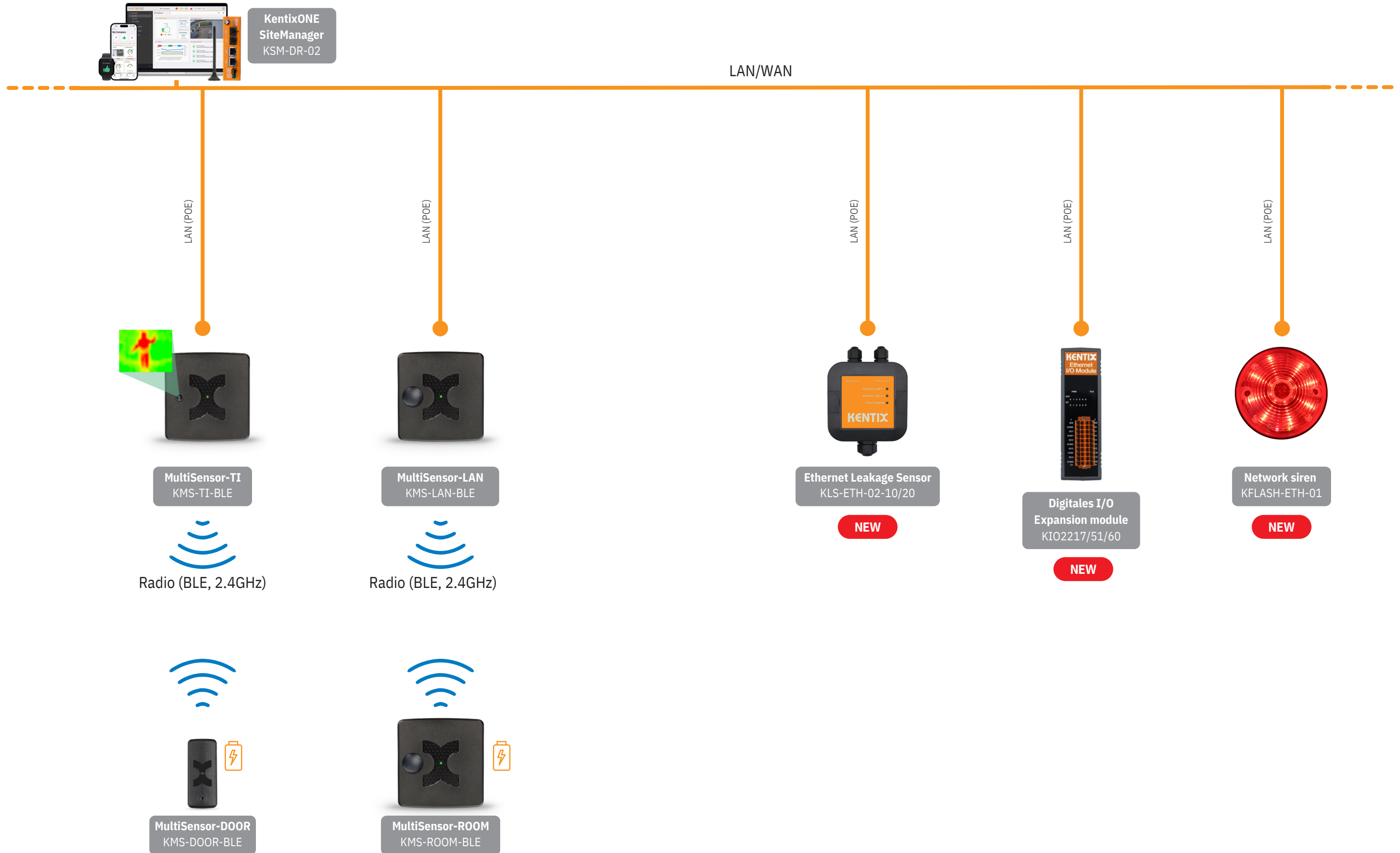
Network





Fully integrated software. Easy control with any browser. Secure remote control via KentixONE®. Kentix app available for iPhone and Android.

# All system components at a glance - easy networking for SmartMonitoring



All MultiSensors are available in the housing colors black and white!

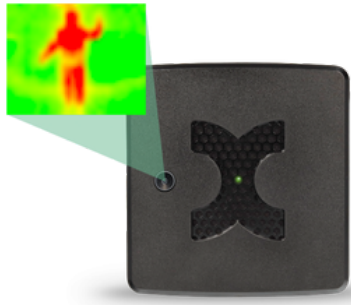


## Kentix MultiSensor®

The MultiSensor is the ingeniously simple solution for comprehensive monitoring of IT and technical rooms. With just one device, you can monitor your IT infrastructure, for example, for up to 20 physical threats such as critical climate factors, fire or burglary and lay the foundation for protection in accordance with BSI basic protection and ISO 27001.

The MultiSensors are available with Ethernet (PoE) or wireless connection. The network-compatible MultiSensors can also be operated without SiteManager. The MultiSensors with radio are battery-operated and are connected to a MultiSensor with Ethernet as a gateway. A SiteManager is required for management.

### MultiSensors with Ethernet and radio (BLE)



Type	SKU
MultiSensor-TI	KMS-TI-90-B-BLE
MultiSensor-TI	KMS-TI-90-W-BLE



Type	SKU
MultiSensor-LAN	KMS-LAN-B-BLE
MultiSensor-LAN	KMS-LAN-W-BLE

### MultiSensors with radio (BLE) and battery



Type	SKU
MultiSensor-ROOM	KMS-ROOM-B-BLE
MultiSensor-ROOM	KMS-ROOM-W-BLE



Type	SKU
MultiSensor-DOOR	KMS-DOOR-B-BLE
MultiSensor-DOOR	KMS-DOOR-W-BLE

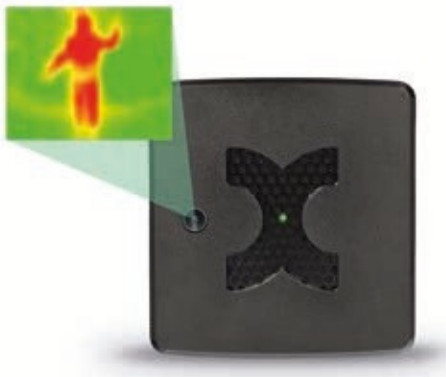
## A device that detects all major physical threats - the Kentix MultiSensor®



<b>Temperature</b> <ul style="list-style-type: none"> <li>Monitoring the room temperature</li> <li>Monitoring of cooling or heating</li> </ul>	<b>Humidity</b> <ul style="list-style-type: none"> <li>Humidity monitoring</li> <li>Monitoring the room air conditioning</li> </ul>
<b>Dew point</b> <ul style="list-style-type: none"> <li>Monitoring the dew point</li> <li>Avoidance of condensation</li> </ul>	<b>Air quality (VOC)</b> <ul style="list-style-type: none"> <li>Determination of air quality according to the IAQ index (Indoor Air Quality).</li> <li>Combination with the integrated early fire warning sensors.</li> </ul>
<b>Carbon monoxide (CO)</b> <ul style="list-style-type: none"> <li>Early fire detection via highly sensitive CO sensor.</li> <li>Detection of developing fires.</li> </ul>	<b>Thermal image sensor</b> <ul style="list-style-type: none"> <li>Optimum detection of thermal hotspots</li> <li>Graphical image display</li> </ul>
<b>External message inputs</b> <ul style="list-style-type: none"> <li>Enables the connection of external devices such as leakage sensors.</li> <li>Door contacts, fault messages from external devices.</li> </ul>	<b>Motion detector</b> <ul style="list-style-type: none"> <li>Fast motion detection</li> <li>Secure detection of unauthorized persons</li> </ul>
<b>Acoustic signal transmitter</b> <ul style="list-style-type: none"> <li>Integrated signal transmitter for acoustic alarm.</li> </ul>	<b>Ext. alarm &amp; switching outputs</b> <ul style="list-style-type: none"> <li>Activation of external alarm devices such as sirens, flashing lights</li> <li>Remote switching of devices</li> </ul>
<b>Sabotage monitoring</b> <ul style="list-style-type: none"> <li>Continuous monitoring for tampering and sabotage of MultiSensor and SiteManager.</li> </ul>	<b>Radio transmission (BLE)</b> <ul style="list-style-type: none"> <li>Encrypted transmission of the sensor data to the control center</li> <li>High range and safety thanks to automatic networking</li> </ul>
<b>Air pressure (hPa)</b> <ul style="list-style-type: none"> <li>Air pressure measurement to determine different pressure ranges or the altitude.</li> </ul>	

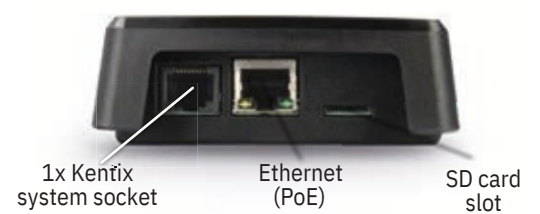
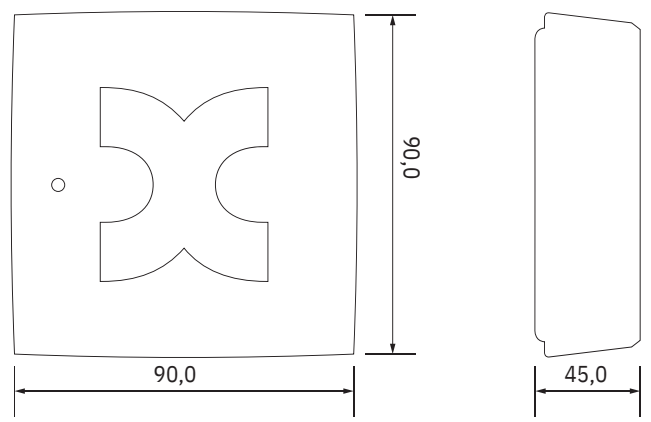
## MultiSensor with thermal image

The MultiSensor-TI is the latest MultiSensor technology with integrated thermal imaging sensor for monitoring critical system conditions and for early fire detection. Compared to thermal imaging cameras, the sensor has the advantage that it works in compliance with data protection regulations and additional sensors can be connected to the thermal evaluation. For early fire detection, this means that up to four factors (thermal image, CO, air quality, room temperature) can be evaluated for reliable detection.

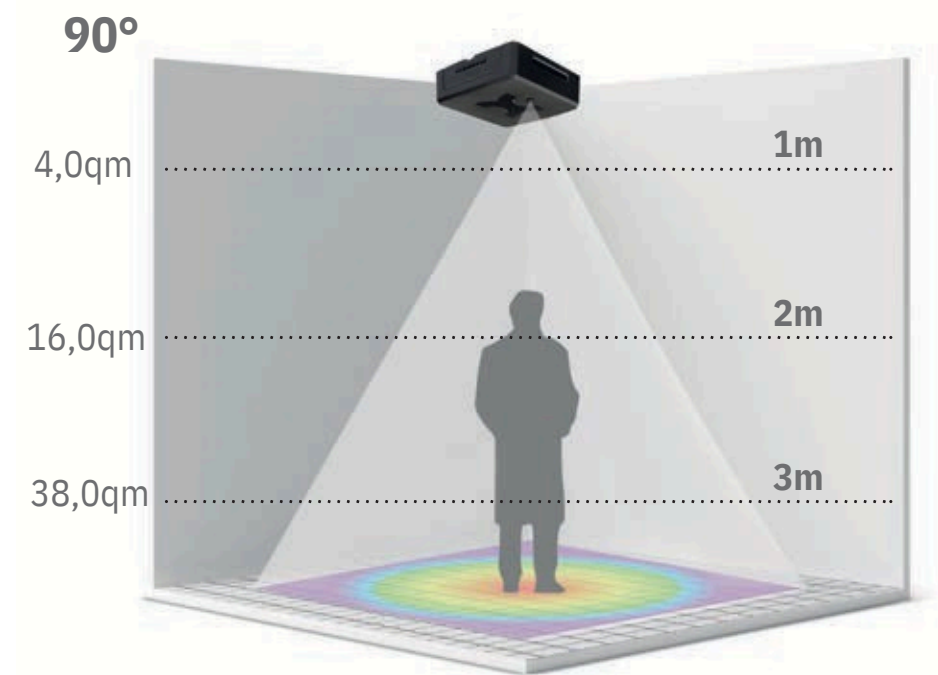


## Sensor matrix

	Early fire detection	Motion	Climate	Sabotage	External Alarms
Thermal image sensor (90°)	✓	✓	✓	✓	-
Carbon monoxide sensor (CO)	✓	-	-	-	-
Air quality (VOC)	✓	-	-	-	-
Temperature	✓	-	-	-	-
Humidity	-	-	-	-	-
Dew point	-	-	-	-	-
Air pressure	-	-	-	-	-
Vibration	-	-	-	✓	-
External inputs	-	-	-	✓	✓



## Monitored area according to 90° optics



Calculation tool at <https://docs.kentix.com>

## Display in the KentixONE® WEB-GUI

Configurable thermal image display

Configuration of exclusion zones for motion and fire detection

Dashboard overview with all measured values

## Early fire detection with MultiSensor technology

Fires in technical systems are often (>50%) caused by electrical faults and can have a variety of causes, such as insulation faults, overcurrents or improper maintenance. In addition, ever higher power and packing densities require forced cooling for trouble-free operation, especially in IT systems. In most cases, such fires develop over a longer period of hours or even days.

In order to detect the actual fire or even just a “creeping defect” at an early stage, a sensitive sensor system optimized for the fire parameters is required. The Kentix MultiSensor combines a large number of different sensors in one device with the aim of detecting as many threats as possible. In early fire detection, four factors in particular are evaluated. Here too, the primary aim is to detect the incipient fire at an early stage and react before major damage occurs.

### The Kentix 4-factor early fire detection system - detecting fires before they start



#### 1 Thermal image sensor

- Detects thermal hotspots and transmits images for localization.
- High preventive effect, very early notification, requires direct view of object.

1



#### 3 Air quality (VOC)\*

- Detects rapid changes or deterioration in air quality.
- High preventive effect, very early notification, does not require a direct view of the object.

3



#### 2 Carbon monoxide (CO)

- Very sensitive measurement of the CO content, CO typically diffuses in the room. Measurement from 50ppm.
- High preventive effect, very early notification, no direct view of object required.

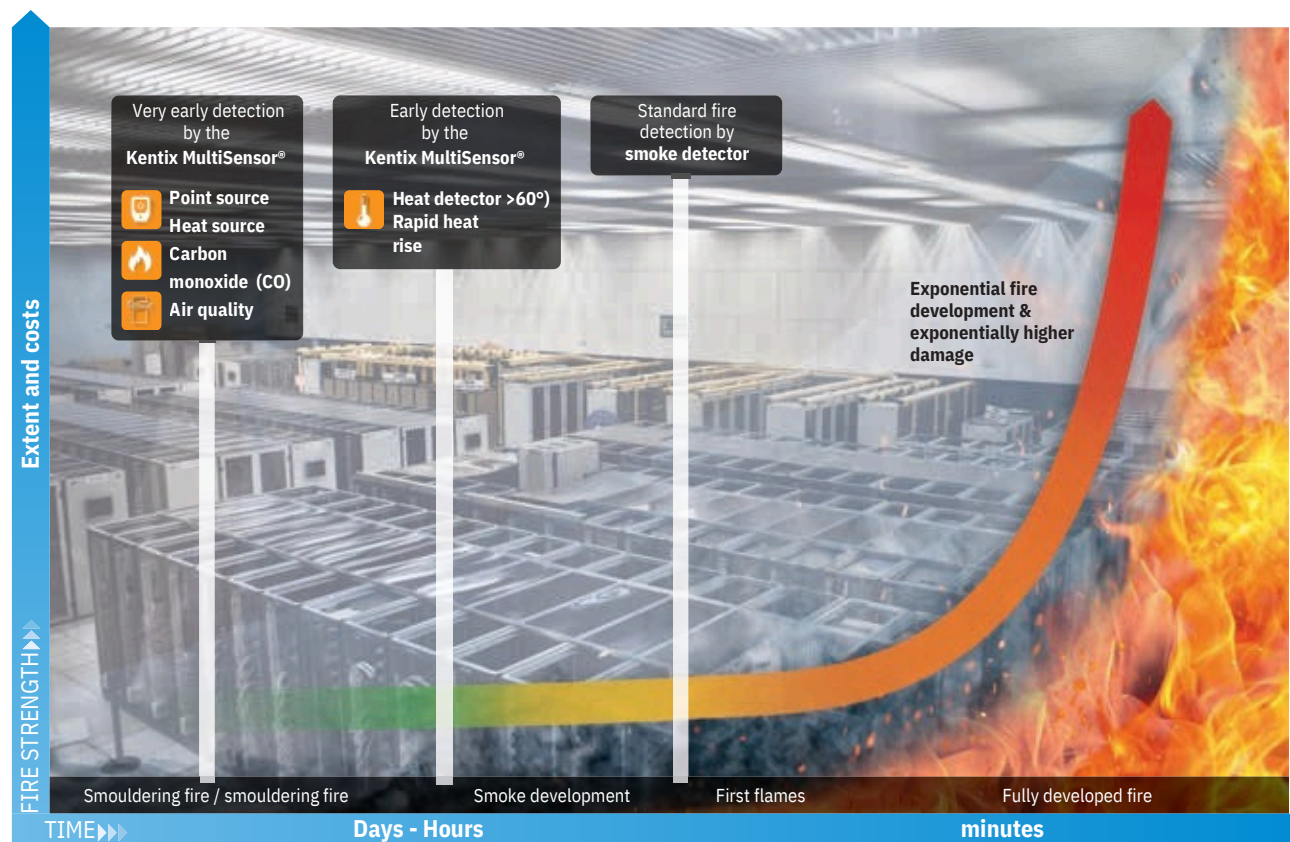
2



#### 4 Temperature/heat sensor

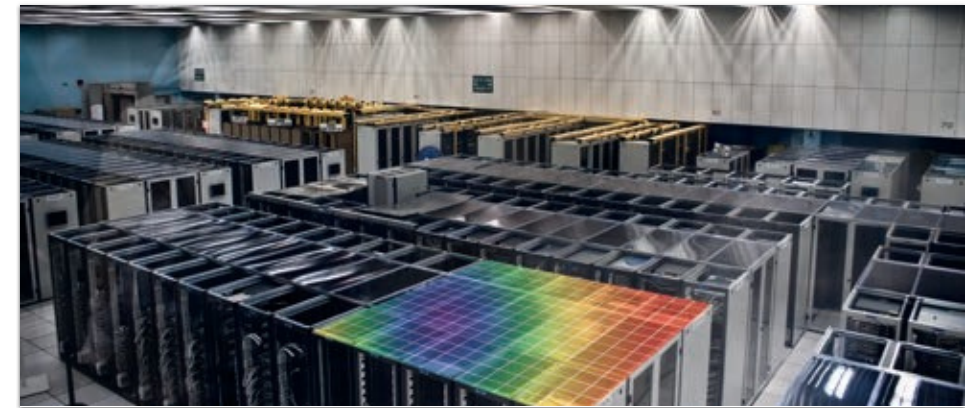
- Measures the steepness of the temperature rise and an upper threshold value (>60°C).
- Important value for assessing the progress of the fire, no direct view of the object required.

4



\* Volatile organic compounds (VOCs) is the collective term for organic, carbon-containing substances that change into the gas phase by evaporation to an extent that is relevant for air pollution control and are therefore referred to as volatile gases.

## Application examples



Data Center



Production facilities



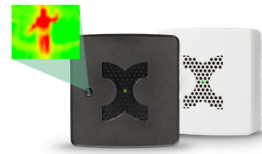
Battery UPS systems



Generators, gensets, electrical systems

## Function overview

### MultiSensor



Device	MultiSensor-TI	MultiSensor-LAN
Type name	KMS-TI	KMS-LAN
Function	Multifunction sensor with thermal sensor	Multifunction sensor with Ethernet
Room system size	up to 50 m <sup>2</sup>	up to 20 m <sup>2</sup> , IT rack
Number of connectable MultiSensors	-	-
Configuration	KentixONE, Web-Server	KentixONE, Web-Server
Smartphone App (KentixONE®)	✓	✓
Integrated web server (HTTPS)	✓	✓
Integrated 4G modem	✗	✗
Server monitoring (live check)	✗	✗
Stand-alone capable without SiteManager	✓	✓
Video recording IP camera (HTTP/S)	✓	✓
SMS alarms (stand-alone operation)	✗	✗
E-mail alerts	✓	✓
VDS 2456-S2 Alarm (TCP)	✗	✗
SNMP V2/3, Traps	✓	✓
REST-API (HTTPS/JSON), Webhooks	✓	✓
Data logger with long-term memory	✓	✓
Switching outputs (open collector)	2	2
Alarm inputs (potential-free)	2	2
Leakage/vacuum cleaner connection	✓	✓
PoE (Power over Ethernet)	✓	✓
External power supply	✓	✓
Battery life	✗	✗
Ethernet (10/100Mbit)	✓	✓
BLE radio (2.4GHz)	✓	✓
BLE radio repeater function	✓	✓
Kentix system socket	✓	✓
Sabotage monitoring	✓	✓
Sensor - Temperature (0-99°C)	✓	✓
Sensor - Relative humidity (0-100%)	✓	✓
Sensor - Dew point (°C)	✓	✓
Sensor - Carbon monoxide (CO>20ppm)	✓	✓
Sensor - Motion PIR	✓	✓
Sensor - Thermal image (1024 pixels)	✓	✗
Sensor - Vibration (shock)	✓	✓
Sensor - Air quality (VOC)	✓	✓
Sensor - Air pressure	✓	✓
Monitoring the supply voltage	✗	✗
SD card slot (Micro SD)	✓	✓
Protection class	IP20	IP20
Size	90 x 90 x 45	90 x 90 x 45
Approvals	CE	CE



Device	MultiSensor-ROOM	MultiSensor-DOOR
Type name	KMS-ROOM	KMS-DOOR
Function	Multifunction sensor with BLE radio	Multifunction sensor with BLE radio
Room system size	up to 20 m <sup>2</sup> , IT rack	Door, window, rack
Number of connectable MultiSensors	-	-
Configuration	KentixONE	KentixONE
Smartphone App (KentixONE®)	✓	✓
Integrated web server (HTTPS)	✗	✗
Integrated 4G modem	✗	✗
Server monitoring (live check)	✗	✗
Stand-alone capable without SiteManager	✗	✗
Video recording IP camera (HTTP/S)	✗	✗
SMS alarms (stand-alone operation)	✗	✗
E-mail alerts	✗	✗
VDS 2456-S2 Alarm (TCP)	✗	✗
SNMP V2/3, Traps	✗	✗
REST-API (HTTPS/JSON), Webhooks	✗	✗
Data logger with long-term memory	✓	✓
Switching outputs (open collector)	✗	✗
Alarm inputs (potential-free)	✗	✗
Leakage/vacuum cleaner connection	✗	✗
PoE (Power over Ethernet)	✗	✗
External power supply	Battery (Li, 1/2AA)	Battery (Li, 1/2AA)
Battery life	2-4 years	2-4 years
Ethernet (10/100Mbit)	✗	✗
BLE radio (2.4GHz)	✓	✓
BLE radio repeater function	✗	✗
Kentix system socket	✗	✗
Sabotage monitoring	✓	✓
Sensor - Temperature (0-99°C)	✓	✓
Sensor - Relative humidity (0-100%)	✓	✓
Sensor - Dew point (°C)	✓	✓
Sensor - Carbon monoxide (CO>20ppm)	✓	✗
Sensor - Motion PIR	✓	✗
Sensor - Thermal image (1024 pixels)	✗	✗
Sensor - Vibration (shock)	✓	✓
Sensor - Air quality (VOC)	✗	✗
Sensor - Air pressure	✗	✗
Monitoring the supply voltage	✓	✓
SD card slot (Micro SD)	✗	✗
Protection class	IP20	IP20
Size	90 x 90 x 45	27 x 27 x 62
Approvals	CE	CE



## MultiSensor-DOOR

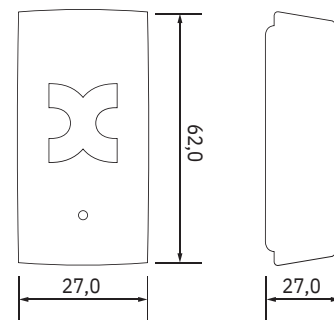
This ultra-compact MultiSensor is ideal for intrusion detection on doors, windows, and movable objects, as well as climate monitoring. It replaces conventional door contacts and is easy to install thanks to its magnetic contact, which adapts to the shape of the door or window. The Multi-Sensor DOOR is wireless (BLE, 2.4GHz) and battery-operated with a long battery life of up to four years.

### Products

Type	Color	SKU
MultiSensor-DOOR	Black	KMS-DOOR-B-BLE
MultiSensor-DOOR	White	KMS-DOOR-W-BLE

### Accessories

Type	SKU
Replacement battery	KER14250



### Technical details

Connection option	SiteManager
Sensor - Temperature	Measuring range -20 °C/-4 °F to +99 °C/210 °F (accuracy +/- 0.5 °C)
Sensor - Relative humidity	Measuring range 0 to 100% (accuracy +/- 3%)
Sensor - Dew point	calculated in °C/°F
Sensor - Vibration	3 axes, adjustable sensitivity
Sensor - reed contact	Magnetic sensor for door position (distance up to approx. 1 cm), can be fitted left/right
Sensor - Sabotage	Sabotage message during dismantling
Signal transmitter	65 dB, 2.3 kHz
LED	Multicolor LED (red/green); ALARM (red); Teach-in (green)
Radio	ZigBee® 2.4 GHz; ISM band +3 dBm; output power IEEE8 02.15.4; Encryption AES 128 bit
Power supply	Lithium-ion battery, 1/2 AA 3.6 V (1,200 mAh); battery life up to 4 years (approx. 200,000 openings)
Case	Material: PS 62 x 27 x 27 mm; Weight approx. 50 g; Color: black, white
Environmental conditions	Temperature 0 - 45 °C; humidity 5-95 %, non-condensing
Scope of delivery	1x Li-battery 3.6 V/1,200 mAh, mounting material, magnet for REED contact
Approvals	CE



## NEW Digital I/O expansion module

The I/O expansion module connects external systems with their alarm, status and fault messages. Communication takes place via Ethernet. This allows the module to be installed anywhere. Configuration takes place via the KentixONE web interface. The module offers simple IP configuration in KentixONE and testing of the inputs/outputs via the integrated web server without additional software. All modules have a robust electrical galvanic isolation of the signal, which is essential for ensuring the safety and integrity of the system. All I/O-modules can be mounted on 35mm DIN rail.

### Products

Type	Inputs	Outputs	Assignment of alarm outputs	SKU
I/O-Module	6 digital inputs for dry-contacts and wet-contacts (10-150VDC)	6 relay outputs 5A 250VAC / 24VDC	Freely assignable and switchable	KIO2260
I/O-Module	16 digital inputs for dry-contacts and wet-contacts (10-150VDC)	—	—	KIO2251
I/O-Module	8 analog inputs for measured values from 0-10 V or 4-20 mA	—	—	KIO2217

### Accessories for KIO2217

Type	SKU
Outdoor temperature sensor IP66 (-50 to +100 °C)	KESAN1
Sleeve temperature sensor IP66 (-50 to +100 °C)	KESAN2

### Technical details

Connection option	External alarms from existing system components (air conditioning units, UPS systems, generators, alarm systems, external analogue sensors)
KentixONE	Full support
Configuration	Integrated web server (HTTP) for network setup
Protocols	KAM-IO communication via IP port: 502 (default)
Security	ID, password and IP filter
Connection terminals	Pluggable screw terminals for cables up to 1 mm <sup>2</sup>
Insulation	Ethernet 1,5 kVDC, I/O 3,0 kVrms
Environment	Operating temperature -25 °C to +75 °C, relative humidity 10-90% non-condensing
Ethernet (Two Ports)	1. Port (Main) with 10/100MBit (PoE), 2. Port (10/100MBit) for daisy chaining external devices
Power supply	PoE (IEEE 802.3af, Class1) or external power supply unit 12-48 VDC, 3 watts
Case (LxWxH)	126 x 33 x 108 mm (DIN rail mounting)
Scope of delivery	KIO2217/KIO2251/KIO2260, 3 m patch cable, terminal block, instructions
Approvals	CE

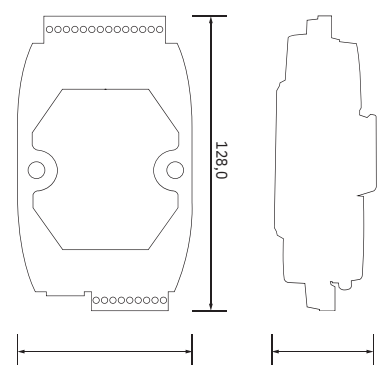


## Digital I/O expansion module

The I/O expansion module is used to connect external alarm and fault messages. Communication takes place via Ethernet. This allows the module to be installed anywhere. Configuration takes place via the web interface of the SiteManager-PRO. The module offers simple IP configuration in KentixONE® and testing of the inputs/outputs without additional software via the integrated web server.

### Products

Type	Inputs	SKU
I/O-Module	8 analog inputs for measured values 0-10 V, 4-20 mA	KIO7017
I/O-Module	16 digital inputs for potential-free wiring, ON: open, OFF: input switched to GND	KIO7053



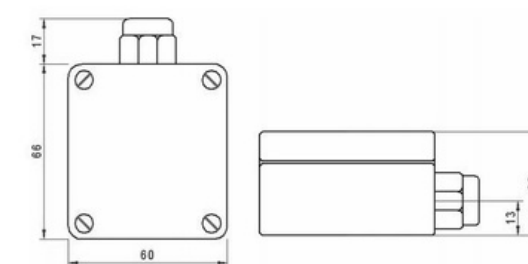
### Technical details

Connection option	External alarms and measurement values from existing system components (air conditioning units, UPS systems, generators, alarm systems)
KentixONE	Full support
Configuration	Integrated web server (HTTP) for network setup
Protocols	Communication via IP port: 502 (default)
Security	ID, password and IP filter
Connection terminals	Pluggable screw terminals for cables up to 1 mm <sup>2</sup>
Insulation	Ethernet 1,5 kVDC, I/O 3,7 kVrms
Environment	Operating temperature -20 °C to +60 °C, relative humidity 10-90% non-condensing
Ethernet	10/100 Base-TX (PoE)
Power supply	PoE (Class 1) or external power supply unit 12-32 VDC, 3 watts
Case	76 x 128 x 38 mm (DIN rail mounting)
Scope of delivery	KIO7053/KIO7017, 3 m patch cable, terminal block, instructions
Approvals	CE



## Outdoor temperature sensors for KIO2217 & KIO7017

When it comes to reliable outdoor temperature measurement, a robust and precise sensor is at the heart of every application. Our universal outdoor temperature sensor, manufactured in Germany, stands for the highest quality, durable materials, and precise measurement results – even under the most adverse weather conditions. Developed for the requirements of heating, air conditioning, and ventilation technology, this sensor is ideal for any application where temperature stability and durability are important.



### Products

Type	SKU
Temperature-Sensor	KESAN01
Temperature-Cable-Sensor	KESAN02

### Technical details

Connection	4-Wire (Signal, Power)
Power supply	12-24VDC (4mA)
Temperature Sensor	-50 ~ +100°C (-4 ~ +140°F), accuracy: typical: ±0.4°C, precision: ±0.1°C
Temperature ranges	-50 °C ... + 50 °C; 0 °C ... + 50 °C; 0 °C ... +100° (set via DIP switch, see circuit in data sheet)
Measurement Output	0-10V or 4-20mA
Temperature range	Operating: -50 °C to +100 °C
Anschluss	Terminal inside chassis, KESAN2: 2m cable length for external sensor
Mount	Wall mount
Case	Polyamid (white)
Weight	ca. 150g
Size ((W x L x H)	66 x 60 x 39 mm
Scope of delivery	Sensor (KESAN1) or Sensor with 2m cable-sensor (KESAN2)

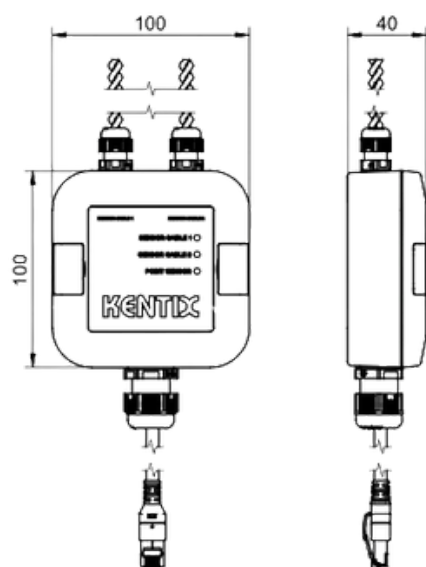


**NEW**  
**Network Leakage Sensor**

The leak sensor connects to the network via Ethernet (PoE) and integrates easily with KentixONE. It can also be used as a standalone device and is compatible with third-party monitoring systems via SNMP or REST API. The sensor features two cables with built-in sensors that detect water ingress along the entire length of the cable at an early stage. Three detection channels facilitate the identification of leaks along the sensors. Two different lengths of sensor cable are available.

**Products**

Type	Sensor cable length	SKU
Ethernet Leakage sensor	2x 10 m	KLS-ETH-02-10
Ethernet Leakage sensor	2x 20 m	KLS-ETH-02-20



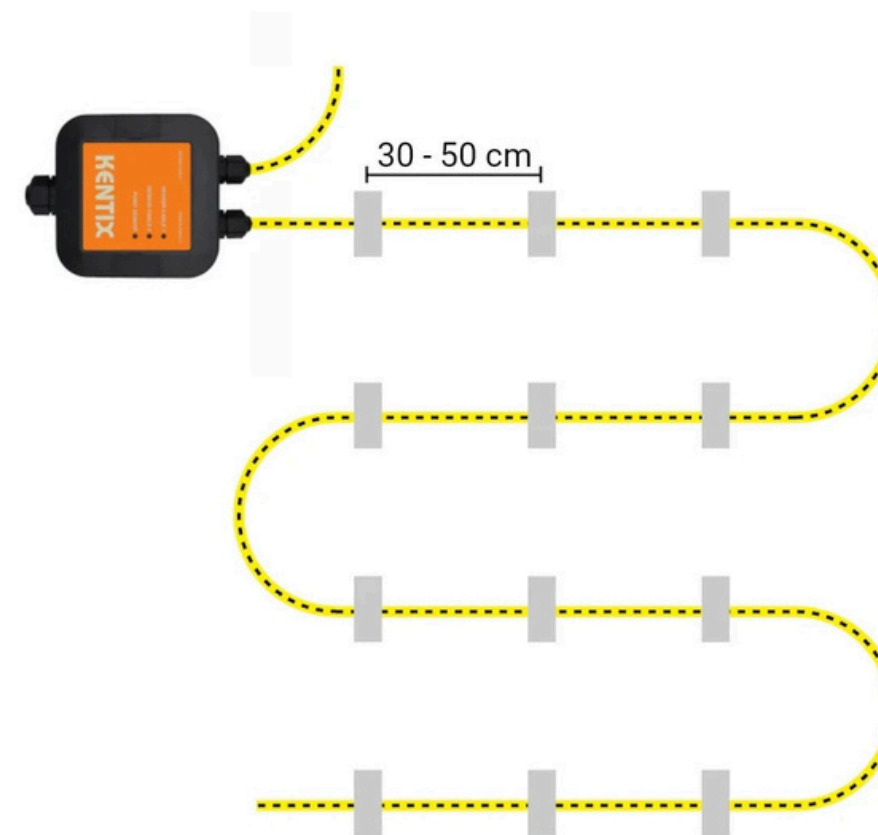
**Technical details**

Connection	10/100MBit Ethernet with PoE (Class 2)
Power supply	Power over Ethernet (PoE)
Status LED	RED/GREEN
Temperature range	0 °C to +50 °C, max. 85% rH, non-condensing
Connection cable	10m Ethernet cable
Point sensor at chassis	Sensitivity: approx. 5 ml water of a 5x5cm area
Rope sensor	Conductive polymer cable, sensitivity: 5 ml water over a length of approx. 10 cm
Sensitivity	Adjustable sensitivity via software
Chassis	ABS color anthrazite, IP67 according to EN60529
Weight	ca.750 g (KLS-ETH-02-10), 1.000g (KLS-ETH-02-20)
Size	100 x 100 x 40 mm
Scope of delivery	Leakage sensor, 10 m Ethernet cable, mounting material for sensor-cable

**Leakage detection with sensor cable**

In addition to the point sensor on the main chassis, the leakage sensor has detection lines based on sensor cables. This makes it possible to monitor a floor area. In this case, the entire sensor cable acts as a detector, enabling leaks to be detected over a distance of up to 20 metres with a single sensor. The sensor cable is usually laid in loops across the floor in a meandering pattern. The cable of the leakage sensor must be fixed to the floor.

A number of cable mount clips are provided with each sensor and can be glued to the floor with silicone. The distance between each clamp should be around 50 cm. Alternatively, the sensor cable can be fixed at the same intervals by using high-quality adhesive tape strips. In both cases, it is important that the sensor cable rests flat on the floor over its entire length.



**Detection and sensitivity**

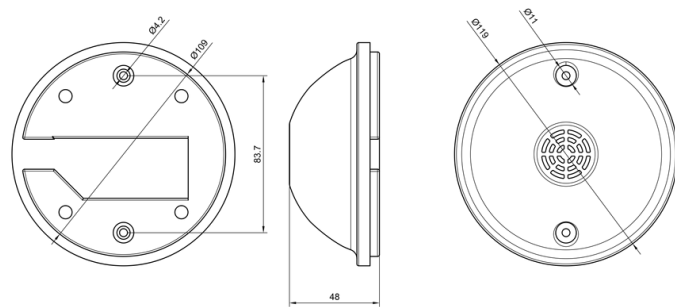
The housing sensor is triggered by a small amount of water (about 3–5 ml) over an area of 5 x 5 cm. As a test, you can also trigger the sensor by wiping it with a wet cloth. The sensor cable requires slightly more liquid to trigger. Approximately 5 ml of water over a length of 10 cm is required. Several areas can be wetted, but the total wetted area must be approximately 10 cm.

NEW

## Network alarm siren with PoE



The network-compatible alarm siren can be installed inside the building and in weather-protected outdoor areas. It is a combined signaling device and an essential component of a functioning alarm chain. In the event of an alarm, the siren generates a very loud, adjustable signal tone of up to 100 dB sound pressure. In addition to the acoustic alarm, a visual alarm is given by a colored, clearly visible LED light. It is connected and controlled via an Ethernet PoE network port (RJ45).



### Products

Type	SKU
Alarm siren	KFLASH-ETH-1

### Technical details

Connection	Ethernet 10/100Mbit, PoE (Class 3)
Power supply	PoE (Class 3)
Sound pressure	100dB, various sounds adjustable
LED	Red, green, blue
Monitoring	Sabotage monitoring
Temperature range	-10 °C to +55 °C / max. 95%rh, non-condensing
Anschluss	Ethernet RJ45 Buchse
Function	LED colors (RGB) separately controllable, several sound signals to choose from
Case	ABS, IP43
Weight	ca. 250g
Size	Ø93 mm, H123 mm
Scope of delivery	Alarm siren, 3 m Slim-Line patch cable



## Magnet mounting bracket

Magnetic holder for mounting a Kentix device on metallic surfaces, e.g. in a 19" IT rack. Suitable for KAM-BASIC/PRO, KXP-16, KMS-LAN, KMS-LAN-RF, KMS-RF, KMS-RF-BAT, KMS-TI.

### Products

Type	SKU
Magnet mounting bracket	KRA-02

### Technical details

Mounting	On metallic surfaces, e.g. in a 19" rack
Weight	ca. 0,4 kg
Height	40 mm
Scope of delivery	Magnet mounting bracket, screw set 3mm

## Rack wall mounting bracket



1U mounting bracket made of sheet metal for mounting Kentix MultiSensors in 19" IT racks. Suitable for mounting KMS-LAN, KMS-LAN-RF, KMS-RF, KMS-TI, KXP-16, KPM-100. The sensors are mounted in an optimum downward orientation. By placing the devices in the rack, they are protected against unauthorized access and there is no need for additional cabling in the server room.

### Products

Type	SKU
Magnet mounting bracket	KRA-03

### Technical details

Mounting	Directly in the 19" rack
Weight	ca. 0,15 kg
Height	44 mm
Scope of delivery	Rack-Montagehalter, Schraubensatz 3 mm

## Function overview

### Accessories



Device	Ethernet Leakage Sensor	Ethernet Siren
Type name	KLS-ETH-02-10/20	KFLASH-ETH-1
Function	Sensor for the detection of water leaks	LED alarm siren for visual-acoustic signaling of alarm statuses
Installation location	Floor, raised floor	Room, wall, ceiling
Room/plant areas	approx. room 100 sqm (1.000sft) 2x 20m	10 - 250 sqm 100-2.500sft
Configuration	KentixONE Web-Server	KentixONE Web-Server
Stand-Alone capable	✓	✗
Integrated web server (HTTP/HTTPS)	✓	✓
Ethernet (10/100Mbit) with PoE (Power over Ethernet)	✓	✓
Bypass Ethernet Port (10/100Mbit)	✗	✗
SNMP MIB (V2/3) via KentixONE	✓	✓
MQTT Support	✗	✗
Restart state setup	✓	✓
IP filter for security	✓	✓
I/O isolation (3.000VDC)	✗	✗
External power supply (10-48VDC)	✗	✗
Digital Alarm inputs (Dry contact)	✗	✗
Digital Alarm inputs (Wet contact, 10-50VDC)	✗	✗
Analog inputs (4-20 mA, 1-10 V)	✗	✗
Relay outputs (5A@250VAC/24VDC)	✗	✗
Sabotage monitoring	✓	✓
Approvals	CE	CE, UKCA, FCC
Size (L x W x H in mm)	100 x 100 x 40	Ø 93, H123



Digital In-/Output-Modul	Digital Input Modul		Analogue Input Modul	
KIO2260	KIO2251	KIO7053	KIO2217	KIO7017
DIN rail mounted expansion module for connecting external inputs/outputs	DIN rail mounted expa module for connecting external alarm messages		DIN rail mounted extension module for connecting external analogue signals	
DIN-RAIL	DIN-RAIL		DIN-RAIL	
-	-		-	
KentixONE Web-Server	KentixONE Web-Server		KentixONE Web-Server	
✗	✗	✗	✗	✗
✓	✓	✓	✓	✓
✓	✓	✓	✓	✓
✓	✓	✗	✓	✗
✓	✓	✓	✓	✓
✓	✓	✓	✓	✓
✓	✓	✓	✓	✓
6	16	16	✗	✗
6 by configuration	✗	✗	✗	✗
✗	✗	✗	8	8
6	✗	✗	✗	✗
✓	✓	✓	✓	✓
CE, UKCA, FCC	CE, UKCA, FCC	CE, UKCA, FCC	CE, UKCA, FCC	CE, UKCA, FCC
126 x 33 x 108	127 x 33 x 108	72 x 123 x 35	127 x 33 x 117	72 x 123 x 35

# Application example: Monitoring container data center

Scalable monitoring solution for container or outdoor data centers in which systems with high availability requirements are operated

The first container requires a SiteManager, a MultiSensorLAN, a leakage sensor and an I/O module for the external alarm activation of the UPS and air conditioning system. The MultiSensor and the I/O module are supplied with power via the PoE network connection. The leakage sensor is connected to the Kentix-specific system socket of the MultiSensor LAN and monitors possible water ingress into the container.

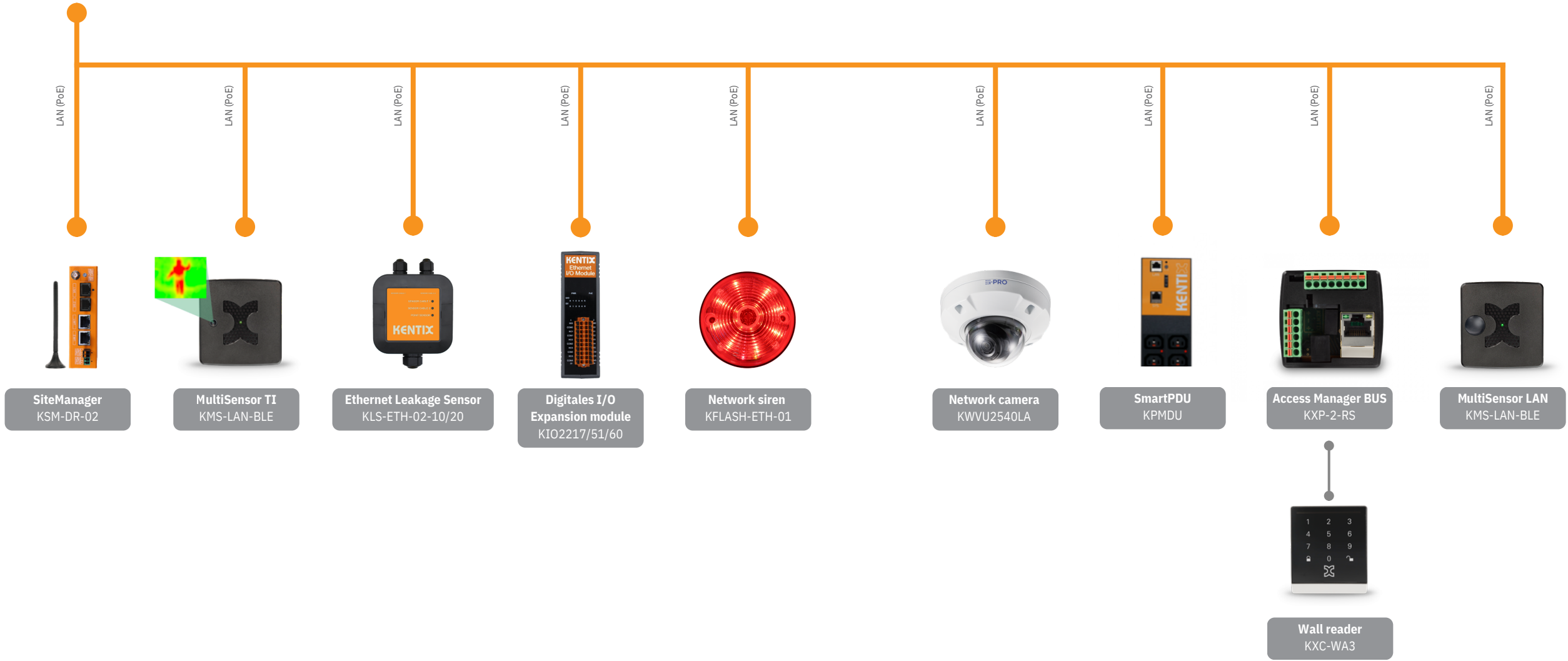
All measured values are transmitted via the network to the SiteManager with KentixONE®. Each transmission path is monitored for failure.

The system can be expanded to include additional functional areas at any time:

- SmartAccess (access control)
- SmartPDU (power distribution)
- SmartVideo (video surveillance)
- Network/device monitoring



## Topology example





## Kentix SmartPDUs - highest availability and security for your IT/OT cabinets

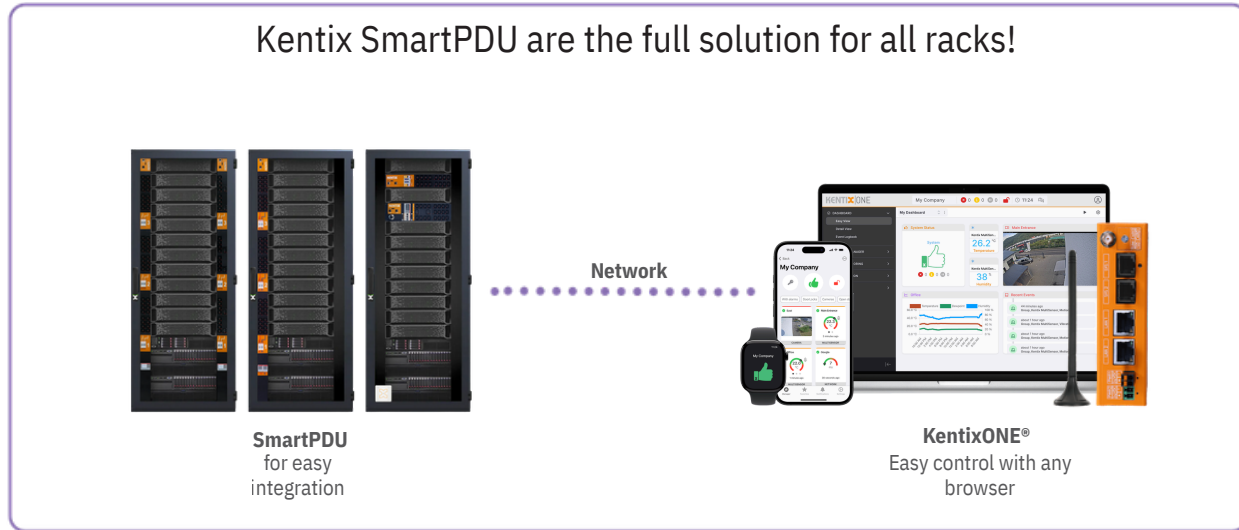
An absolutely robust and highly available power supply in the IT enclosure is the basis of your IT infrastructure. The SmartPDU is designed precisely for this purpose and also serves as a system solution in the IT enclosure by combining intelligent power measurement, environmental monitoring and access control. All of this is based on the integrated KentixONE®, which enables simple, scalable management via a web front end and at the same time allows simple and modern integration into third-party systems with SNMP v2/3, ReST-API, WebHooks and much more. From the calibrated MID measurement to the integrated leakage current measurement and the circuit breakers protected against false tripping, Kentix only uses components of the same quality as those found in an electrical distribution board. The Kentix PDU is therefore a logical extension of a stable electrical distribution board. The modular and flexible C13 and Cx power ports, which can also be made switchable, are all secured with IEC lock to prevent them from being pulled out and can be used with standard C14/20 plugs.

The entire intelligence of the Kentix PDU is contained in the multisensor, the “head” of the PDU. This is where all power data is collected, evaluated and communicated. The sensor also monitors the PDU and the rack for temperature, humidity, dew point, vandalism and early fire detection (optional). The RA4 rack lever can also be used to set up 24/7 online access control and door status monitoring. Additional sensors can be connected to the SmartPDU, e.g. to measure temperature and humidity at multiple positions inside server racks. This creates a complete all-in-one system solution in the IT enclosure, allowing you to keep all physical threats under control with just one system.

- A solution for all applications:**
- High-performance IT racks
  - Collocation racks with switchable and measurable PDU (MID)
  - Edge PDU
  - Floor distributor
  - IT racks Distributor infrastructures



- |                         |                             |
|-------------------------|-----------------------------|
| Power consumption (kWh) | Effective factor            |
| Current (A)             | Mains phase failure         |
| Voltage (V)             | Residual Current (AC/DC)    |
| Power (W, VA, kVar)     | Harmonic distortion THD (%) |
| Frequency (Hz)          |                             |



# All system components at a glance - easy to network for a seamless rack monitoring



KentixONE  
SiteManager  
KSM-DR-02

LAN / WAN

LAN(PoE)

LAN(PoE)

LAN(PoE)

LAN

Server Rack

Edge Rack

OT Rack

SmartPDU  
40-47 U

Dual SmartPDU  
40 U

Dual SmartPDU  
2 UNIT



PowerAnalyser  
ETHERNET · MODBUS

**PUE - energy efficiency in the data center**  
The Power Usage Effectiveness (PUE) is a technical indicator that shows the energy efficiency of a data center. The PUE value puts the total energy consumption of a data center in relation to the energy consumption of the IT infrastructure.

Raised floor

PSU  
A

PSU  
B

PSU  
A

PSU  
B

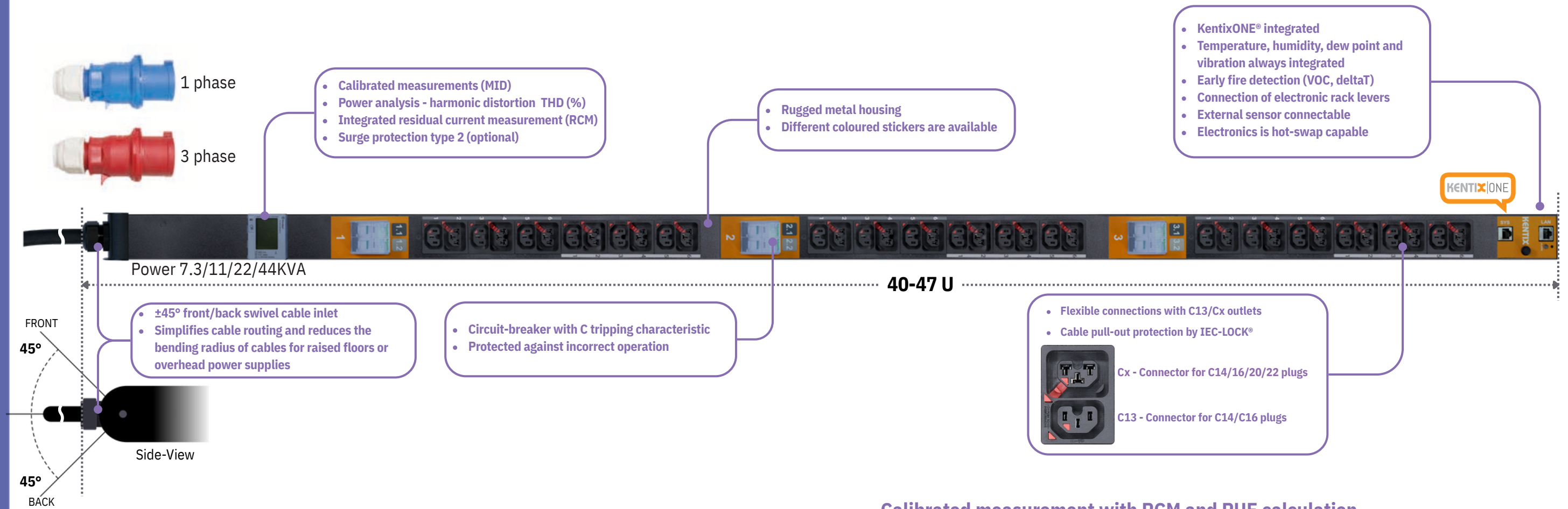
PSU  
A

PSU  
B

Power supply 230/400VAC

# High availability with Kentix cXale SmartPDUs - intelligent, robust, calibrated and switchable

Kentix SmartPDUs are system components that allow you to intelligently expand your rack infrastructure. They are equipped with all the important sensors and interfaces necessary for future-proof operation



**The benefits for your data center operations**

- KentixONE® software ready integrated
- All important electrical and environmental parameters are monitored
- Integrated residual current measurement (RCM) and harmonic analysis
- Open interfaces SNMPV2/3 and REST-API
- Rack levers, door contacts or external sensors can be easily connected
- PoE-powered electronics, guaranteed monitoring even in the event of a power failure
- Automatic update deployment
- Any number of SmartPDUs can be networked
- Full KentixONE® integration (LDAP, MS-ENTRA)

## Fail-safe power distribution with proven components

Intelligent, robust, and calibrated: This was the formula for developing our SmartPDU series. In collaboration with long-standing customers from the data center sector, we developed a PDU that meets essential requirements for robust, fail-safe power distribution.

Therefore, we have focused entirely on proven components from the power distribution sector. The result is an extremely robust PDU that meets all power measurement, analytics, and monitoring requirements. It can also be managed via state-of-the-art interfaces, such as SNMPv2/3 and REST-API.

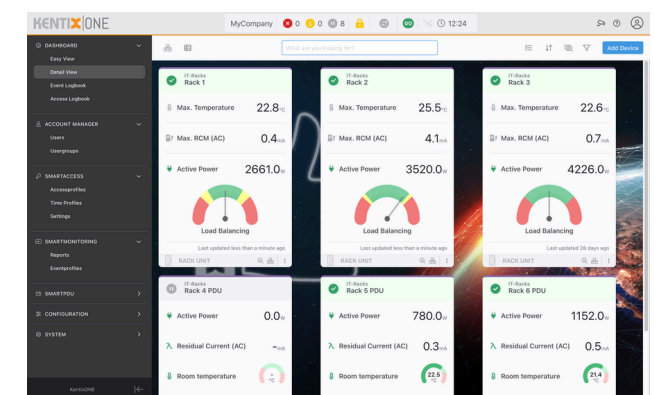
## Calibrated measurement with RCM and PUE calculation

All SmartPDU models are equipped with calibrated power measurements of the most important parameters. This allows for legally compliant billing in the Collocation Data Center. Integrated residual current monitoring (RCM) enables you to test electrical equipment in accordance with safety regulations without turning it off, thereby promoting greater electrical safety and fire protection.

The Kentix SmartPDUs operate using the server-client principle. This means the central KentixONE instance collects data from the connected PDUs. KentixONE can also read an external main power meter via Modbus Ethernet, which enables direct Power Usage Effectiveness (PUE) calculation. Thus, one of the most important energy indicators in the data center is available without the need for external software.

## Simple management with KentixONE®

A central KentixONE instance delivers full management, from measurements to visualization of entire racks, whether it is used as a hardware appliance or self-hosted as a Docker container. It provides alarms, heat mapping, and monthly health and power reports. Regular software updates for all connected devices are also just a click away. KentixONE is a complete solution for operating, optimizing, and monitoring your data centers.



# SmartPDU system overview

## Vertical SmartPDU

40U	2x 1-phase 16/32A	2x 3-phase 16A	A B	<b>KPMDU-RC-xx-xx-4800-2/6-16/32-V</b>	DUAL PDU
	1-phase 32A 16A	3-phase 63A 32A 16A		<b>KPMDU-RC-xx-xx-2412-1/3-16/32/63-V</b>	UP TO 44kW
	1-phase 32A 16A	3-phase 32A 16A		<b>KPMDU-RC-xx-xx-1818-1/3-16/32-V</b>	<b>NEW</b> cXale Series with 36x OUTLETS (18x C13, 18x Cx), UNSWITCHED
				<b>KPMDU-RC-SW-xx-1818-1/3-16/32-V</b>	<b>NEW</b> cXale Series with 36x OUTLETS (18x C13 UNSWITCHED, 18x Cx SWITCHED)
47U	1-phase 32A 16A	3-phase 32A 16A		<b>KPMDU-RC-xx-xx-2424-1/3-16/32-V</b>	<b>NEW</b> cXale Series with 48x OUTLETS (24x C13, 24x Cx), UNSWITCHED

## Horizontal 19" SmartPDU

2U	2x 1-phase 16A	A B	<b>KPMDU-RC-xx-xx-1600-2-16-H</b>	DUAL PDU, RCM
	2x 1-phase 16A	A B	<b>KPMDU-RC-SW-xx-1600-2-16-H</b>	<b>NEW</b> DUAL PDU SWITCHED, RCM
3U	1-phase 32A	3-phase 32A 16A	<b>KPMDU-RC-xx-xx-2002-1/3-16/32-H</b>	UP TO 22kW

## SKU coding for SmartPDU setup

**KPMDU - RC - SW - SP - 1818 - 3 - 32 - V**

- Alignment (H-Horizontal, V-Vertical)
- Current (A) - (16/32/63)
- Phases (1,2,3,6) - (2/6 - Dual PDU)
- Number of Cx outlets (12/18/24/xx)
- Number of C13 outlets (18/24/xx)
- Surge protection Type 2 (SP/xx) - OPTIONAL
- Switched outlets depending on type (SW/xx) - OPTIONAL
- Residual Current Measurement RCM (RC/xx) - OPTIONAL

# Direct connection of the cabinet lever to the Kentix SmartPDU

The DoorLock-RA4 rack handle is an important system component with many advantages for the secure operation of IT/OT racks. In addition to stand-alone use, the handle can also be connected directly to a Kentix SmartPDU. This eliminates the need for cabling between the racks, and the front and rear door handles of the rack are supplied redundantly via the PDUs. The SmartPDU manages the handles and monitors the door contacts. The only other hardware required is a central access manager. This makes integration into an overall Kentix locking system even easier.

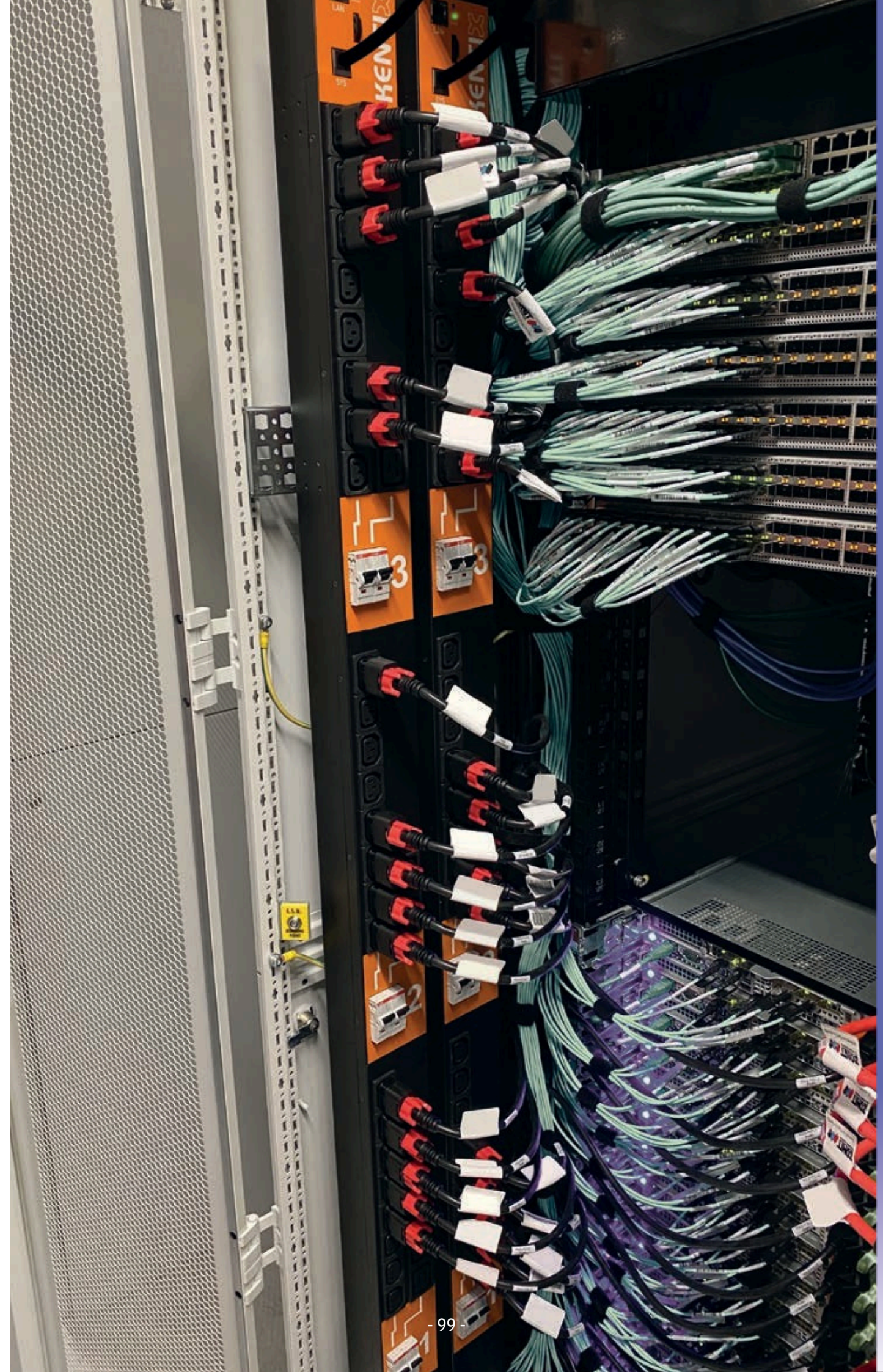


## Easy Setup & Networking via SmartPDU



- 1 Kentix SmartPDU, an AccessManager is also required is required in the network for administration
- 2 Distribution box with connections for equipping of two rack doors per PDU
- 3 Rack lever for front door
- 4 Door contact for front door
- 5 Rack lever for rear door
- 6 Door contact for rear door

**Example of material compilation for 1 rack at a time:**  
 1 piece item no.: KXC-RA4-IP1-R Basic package (clockwise rotation)  
 1 piece item no.: KXC-RA4-IP2-L Extension (counterclockwise rotation)  
 1 piece item no.: KXC-RA4-DB-BUS Distribution box for bus  
 2 pieces item no.: KDC1-W Door contact



NEW

## cXale SmartPDU – 40U, 36 outlets, unswitched or switched

KENTIX ONE

The Slimline SmartPDU has 40 height units and an integrated MultiSensor. It includes residual current measurement (RCM), calibrated power measurement (MID), and power analysis of harmonic distortion (THD). The electronics are powered via PoE. In the event of a power failure, the sensors and PDU management continue to function thanks to a UPS-buffered PoE switch. Additional control functions and digital inputs/outputs are available via the Kentix system port. Ideal for high-density server racks, the SmartPDU can be connected to up to two electronic rack levers for intelligent access management. The SmartPDU is available in unswitched and switched versions.

## Technical details

SKU (unswitched)	KPMDU-RC-xx-xx-1818-3-32-V	KPMDU-RC-xx-xx-1818-3-16-V	KPMDU-RC-xx-xx-1818-1-32-V
SKU (switched)	KPMDU-RC-SW-xx-xx-1818-3-32-V	KPMDU-RC-SW-xx-xx-1818-3-16-V	KPMDU-RC-SW-xx-xx-1818-1-32-V
Rated power, voltage	22 kVA, 230/400V	11 kVA, 230/400V	7.3 kVA, 230V
Connector plug	CEE plug (RED) to IEC60309, 5-pin, 32A/230V/400V	CEE plug (RED) to IEC60309, 5-pin, 32A/230V/400V	CEE plug (BLUE) to IEC60309, 3-pin, 32A/230V
Connection cable	3 m, cable inlet 45° swivel to front/back		
Sockets C13 (IEC60320)	18	18	18
Sockets Cx (IEC60320)	18	18	18
Locking sockets	IEC-LOCK for C13/Cx		
Fuse/circuit breaker	3 x 16A C-type with cover	3 x 10A C-type with cover	3 x 10A C-type with cover
Current measurement (calibrated)	Integrated, calibrated current measurement, accuracy Class B (MID, EN 50470-3)		
Current measurement per area	Integrated individual measurement of the 3 fuse/phase ranges		
Residual current measurement (RCM)	Integrated AC/DC sensitive residual current measurement in accordance with IEC 60664-1, ±300 mA/100 mA (RMS)		
Connectivity	Ethernet (10/100 MBit)		
Kentix system port	RJ45 with Kentix-specific assignment for system extensions with I/O and BUS (RS485)		
Communication and security	HTTPS (certificate), integrated web server, REST API Protocol: SNMP V2/3 (GET, TRAP), NTP, SMTP, DHCP, DNS		
Management	Via KentixONE® or stand-alone by integrated web-server (HTTPS)		
Measurement/communication objects	Voltage (V) L1/L2/L3/total, current (A) L1/L2/L3/total, consumption (kWh) L1/L2/L3/total, Active power (W) L1/L2/L3/total, apparent power (VA) L1/L2/L3/total, reactive power (VAR) L1/L2/L3/total, effective factor (cos phi), frequency (Hz), phase monitoring L1/L2/L3, Residual current AC/DC, fuse status L1/L2/L3, harmonic distortion (%) THD U/I– L1/2/3, temperature (°C), Relative humidity (%), dew point (°C), vibration (G), early fire detection (VOC, Delta-T)		
Display (LCD)	Illuminated LCD display (power, current, voltage, consumption, etc.)		
Optical signaling	LED with RED/GREEN (operation, alarm/error status)		
Acoustic signaling	Signal transmitter with 80 dB, 2.3 kHz (alarm/error states)		
Housing	Sheet metal, powder-coated RAL9005, protection class 1, protection rating IP20		
Size, weight	1750 x 55.5 x 63 mm (HxBxT), ca. 10,5 kg		
Ambient conditions	-10°C to 60°C, humidity 5-95%, storage temperature: -20 °C to 60 °C		
Approvals	CE (2014/30/EG, 2014/35/EG, 2011/65/EU)		
Scope of delivery	SmartPDU with 3m connection cable and plug, mounting material		
Available Options	RCM: YES, Switched: YES, Surge Protection: YES		

NEW

## cXale SmartPDU – 47U, 48 outlets, unswitched

KENTIX ONE

The Slimline SmartPDU has 47 height units and an integrated MultiSensor. It includes residual current measurement (RCM), calibrated power measurement (MID), and power analysis of harmonic distortion (THD). The electronics are powered via PoE. In the event of a power failure, the sensors and PDU management continue to function thanks to a UPS-buffered PoE switch. Additional control functions and digital inputs/outputs are available via the Kentix system port. Ideal for high-density server racks, the SmartPDU can be connected to up to two electronic rack levers for intelligent access management.

## Technical details

SKU	KPMDU-RC-xx-xx-2424-3-32-V	KPMDU-RC-xx-xx-2424-3-16-V
Rated power, voltage	22 kVA, 230/400V	11 kVA, 230/400V
Connector plug	CEE plug (RED) to IEC60309, 5-pin, 32A/230V/400V	CEE plug (RED) to IEC60309, 5-pin, 32A/230V/400V
Connection cable	3 m, cable inlet 45° swivel to front/back	
Sockets C13 (IEC60320)	24	24
Sockets Cx (IEC60320)	24	24
Locking sockets	IEC-LOCK for C13/Cx	
Fuse/circuit breaker	3 x 16A C-type with cover	3 x 10A C-type with cover
Current measurement (calibrated)	Integrated, calibrated current measurement, accuracy Class B (MID, EN 50470-3)	
Current measurement per area	Integrated individual measurement of the 3 fuse/phase ranges	
Residual current measurement (RCM)	Integrated AC/DC sensitive residual current measurement in accordance with IEC 60664-1, ±300 mA/100 mA (RMS)	
Connectivity	Ethernet (10/100 MBit)	
Kentix system port	RJ45 with Kentix-specific assignment for system extensions with I/O and BUS (RS485)	
Communication and security	HTTPS (certificate), integrated web server, REST API Protocol: SNMP V2/3 (GET, TRAP), NTP, SMTP, DHCP, DNS	
Management	Via KentixONE® or stand-alone by integrated web-server (HTTPS)	
Measurement/communication objects	Voltage (V) L1/L2/L3/total, current (A) L1/L2/L3/total, consumption (kWh) L1/L2/L3/total, Active power (W) L1/L2/L3/total, apparent power (VA) L1/L2/L3/total, reactive power (VAR) L1/L2/L3/total, effective factor (cos phi), frequency (Hz), phase monitoring L1/L2/L3, Residual current AC/DC, fuse status L1/L2/L3, harmonic distortion (%) THD U/I– L1/2/3, temperature (°C), Relative humidity (%), dew point (°C), vibration (G), early fire detection (VOC, Delta-T)	
Display (LCD)	Illuminated LCD display (power, current, voltage, consumption, etc.)	
Optical signaling	LED with RED/GREEN (operation, alarm/error status)	
Acoustic signaling	Signal transmitter with 80 dB, 2.3 kHz (alarm/error states)	
Housing	Sheet metal, powder-coated RAL9005, protection class 1, protection rating IP20	
Size, weight	2086 x 55.5 x 63 mm (HxBxT), ca. 11,5 kg	
Ambient conditions	-10°C to 60°C, humidity 5-95%, storage temperature: -20 °C to 60 °C	
Approvals	CE (2014/30/EG, 2014/35/EG, 2011/65/EU)	
Scope of delivery	SmartPDU with 3m connection cable and plug, mounting material	
Available Options	RCM: YES, Switched: NO, Surge Protection: YES	

## SmartPDU – 40U

KENTIX|ONE

The SmartPDU has 40 height units and an integrated MultiSensor. It includes residual current measurement (RCM), calibrated power measurement (MID), and power analysis of harmonic distortion (THD). The electronics are powered via PoE. In the event of a power failure, the sensors and PDU management continue to function thanks to a UPS-buffered PoE switch. Additional control functions and digital inputs/outputs are available via the Kentix system port. Ideal for high-density server racks, the SmartPDU can be connected to up to two electronic rack levers for intelligent access management.

### Technical details

SKU	KPMDU-RC-xx-xx-0036-3-63-V	KPMDU-RC-xx-xx-2412-3-32-V	KPMDU-RC-xx-xx-2412-3-16-V
Rated power, voltage	44 kVA, 230/400V	22 kVA,230/400V	11 kVA,230V
Connector plug	CEE plug (RED) to IEC60309, 5-pin, 63A/230V/400V	CEE plug (RED) to IEC60309, 5-pin, 32A/230V/400V	CEE plug (RED) to IEC60309, 5-pin, 16A/230V/400V
Connection cable	3 m		
Sockets C13 (IEC60320)	0	24	24
Sockets Cx (IEC60320)	36	12	12
Locking sockets	IEC-LOCK for C13/C19/Cx		
Fuse/circuit breaker	6 x 16A C-type with cover	3 x 16A C-type with cover	3 x 10A C-type with cover
Current measurement (calibrated)	Integrated, calibrated current measurement, accuracy Class B (MID, EN 50470-3)		
Current measurement per area	Integrated individual measurement of the 3 fuse/phase ranges		
Residual current measurement (RCM)	Integrated AC/DC sensitive residual current measurement in accordance with IEC 60664-1, ±300 mA/100 mA (RMS)		
Connectivity	Ethernet (10/100 MBit)		
Kentix system port	RJ45 with Kentix-specific assignment for system extensions with I/O and BUS (RS485)		
Communication and security	HTTPS (certificate), integrated web server, REST API Protocol: SNMP V2/3 (GET, TRAP), NTP, SMTP, DHCP, DNS		
Management	Via KentixONE® or stand-alone by integrated web-server (HTTPS)		
Measurement/communication objects	Voltage (V) L1/L2/L3/total, current (A) L1/L2/L3/total, consumption (kWh) L1/L2/L3/total, Active power (W) L1/L2/L3/total, apparent power (VA) L1/L2/L3/total, reactive power (VAR) L1/L2/L3/total, effective factor (cos phi), frequency (Hz), phase monitoring L1/L2/L3, Residual current AC/DC, fuse status L1/L2/L3, harmonic distortion (%) THD U/I– L1/2/3, temperature (°C), Relative humidity (%), dew point (°C), vibration (G), early fire detection (VOC, Delta-T)		
Display (LCD)	Illuminated LCD display (power, current, voltage, consumption, etc.)		
Optical signaling	LED with RED/GREEN (operation, alarm/error status)		
Acoustic signaling	Signal transmitter with 80 dB, 2.3 kHz (alarm/error states)		
Housing	Sheet metal, powder-coated RAL9005, protection class 1, protection rating IP20		
Size, weight	1770 x 78,2 62,5 mm (HxBxT), ca. 10,5 kg		
Ambient conditions	-10°C to 60°C, humidity 5-95%, storage temperature: -20 °C to 60 °C		
Approvals	CE (2014/30/EG, 2014/35/EG, 2011/65/EU)		
Scope of delivery	SmartPDU with 3m connection cable and plug, mounting material		
Available Options	RCM: YES, Switched: NO, Surge Protection: YES (Not with 44KVA)		

## Dual SmartPDU – 40U

KENTIX|ONE

The Dual SmartPDU has a height of 40 units and consists of a separate A+B feed and an integrated MultiSensor. It includes residual current measurement (RCM), calibrated power measurement (MID) and harmonic distortion power analysis (THD). The electronics are powered via PoE. In the event of a power failure, the sensors and PDU management continue to function thanks to a UPS-buffered PoE switch. Additional control functions and digital inputs/outputs are available via the Kentix system port. Ideal for IT/OT racks, the SmartPDU can be connected to up to two electronic rack levers to enable intelligent access management.

### Technical details

SKU	KPMDU-RC-xx-xx-4800-2-16-V	KPMDU-RC-xx-xx-4800-2-32-V	KPMDU-RC-xx-xx-4800-6-16-V
Rated power, voltage	2x 3.6 kVA, 230V	2x 7.3 kVA,230V	2x 11 kVA,230/400V
Connector plug	CEE plug (BLUE) to IEC60309, 3-pin, 32A/230V/400V	CEE plug (BLUE) to IEC60309, 3-pin, 32A/230V/400V	CEE plug (RED) to IEC60309, 5-pin, 32A/230V/400V
Connection cable	2x 3 m		
Sockets C13 (IEC60320)	2x 24 (48)	2x 24 (48)	2x 24 (48)
Sockets Cx (IEC60320)	0	0	0
Locking sockets	IEC-LOCK for C13/C19/Cx		
Fuse/circuit breaker	6 x 10A C-type with cover		
Current measurement (calibrated)	Integrated, calibrated current measurement, accuracy Class B (MID, EN 50470-3)		
Current measurement per area	Integrated individual measurement of the 3 fuse/phase ranges		
Residual current measurement (RCM)	Integrated AC/DC sensitive residual current measurement in accordance with IEC 60664-1, ±300 mA/100 mA (RMS)		
Connectivity	Ethernet (10/100 MBit)		
Kentix system port	RJ45 with Kentix-specific assignment for system extensions with I/O and BUS (RS485)		
Communication and security	HTTPS (certificate), integrated web server, REST API Protocol: SNMP V2/3 (GET, TRAP), NTP, SMTP, DHCP, DNS		
Management	Via KentixONE® or stand-alone by integrated web-server (HTTPS)		
Measurement/communication objects	Voltage (V) L1/L2/L3/total, current (A) L1/L2/L3/total, consumption (kWh) L1/L2/L3/total, Active power (W) L1/L2/L3/total, apparent power (VA) L1/L2/L3/total, reactive power (VAR) L1/L2/L3/total, effective factor (cos phi), frequency (Hz), phase monitoring L1/L2/L3, Residual current AC/DC, fuse status L1/L2/L3, harmonic distortion (%) THD U/I– L1/2/3, temperature (°C), Relative humidity (%), dew point (°C), vibration (G), early fire detection (VOC, Delta-T)		
Display (LCD)	Illuminated LCD display (power, current, voltage, consumption, etc.)		
Optical signaling	LED with RED/GREEN (operation, alarm/error status)		
Acoustic signaling	Signal transmitter with 80 dB, 2.3 kHz (alarm/error states)		
Housing	Sheet metal, powder-coated RAL9005, protection class 1, protection rating IP20		
Size, weight	1770 x 78,2 62,5 mm (HxBxT), ca. 11,5 kg		
Ambient conditions	-10°C to 60°C, humidity 5-95%, storage temperature: -20 °C to 60 °C		
Approvals	CE (2014/30/EG, 2014/35/EG, 2011/65/EU)		
Scope of delivery	SmartPDU with 3m connection cable and plug, mounting material		
Available Options	RCM: YES, Switched: NO, Surge Protection: NO		

## 19", 2U Dual SmartPDU unswitched or switched



The Dual SmartPDU has 2 height units (horizontal), consists of separate A+B feed and an integrated MultiSensor. It also includes RCM and MID-calibrated power measurement. Designed for small IT and OT racks, smaller office racks, and telecom racks, these PDUs have a power rating of up to 2 x 2.3 kVA. The electronics are powered via PoE. In the event of a power failure, the sensors and PDU management continue to function thanks to a UPS-buffered PoE switch. Additional control functions and digital inputs/outputs are available via the Kentix system port. The SmartPDU is ideal for distributed IT/OT cabinets when connected to up to two electronic rack levers for intelligent access management. The SmartPDU is available in an unswitched or switched version.

### Technical details

SKU (unswitched)	KPMDU-RC-xx-xx-1600-2-16-U
SKU (switched)	KPMDU-RC-SW-xx-xx-1600-2-16-U
Rated power, voltage	2 x 2.3 kVA, 230VC
Connector plug	2x C20 IEC socket (16A) on rear panel
Main connection cable	Not included in the scope of delivery, different length and versions available
Sockets	C13 (IEC60320) 16 pieces (2 x 8)
Locking	IEC-LOCK for C13
Fuse/circuit breaker	2x 10A C-type with cover
Current measurement (calibrated)	Integrated, calibrated current measurement, accuracy Class B (MID, EN 50470-3)
Residual current measurement (RCM)	Integrated AC/DC sensitive residual current measurement in accordance with IEC 60664-1, ± 300 mA/100 mA (RMS)
Connectivity	Ethernet (10/100 MBit)
Kentix system port	RJ45 with Kentix-specific assignment for system extensions
Communication and security	HTTPS (certificate), integrated web server, REST-API, port security 802.1x, Protocols: SNMP V2/3 (GET, TRAP), NTP, SMTP, DHCP
Management	Via KentixONE® or stand-alone by integrated web-server (HTTPS)
Measurement/communication objects	Voltage (V) total, current (A) total, consumption (kWh) total, active power (W), Total, apparent power (VA) Total, reactive power (VAR) Total, active factor (cos phi), Frequency (Hz), phase monitoring, residual current AC, residual current DC, Fuse status, temperature (°C), relative humidity (%), dew point (°C), vibration (G), Early fire detection (VOC, Delta-T)
Display (LCD)	Illuminated LCD display (power, current, voltage, consumption)
Optical signaling	LED with RED/GREEN (operation, alarm/error status)
Acoustic signaling	Signal transmitter with 80 dB, 2.3 kHz (alarm/error states)
Housing	Sheet metal, powder-coated RAL9005, protection class 1, protection rating IP20
Size, weight	482.6 x 88 x 120 mm (WxHxD), approx. 3.0 kg
Ambient conditions	-10°C to 60°C, humidity 5-95%, storage temperature: -20 °C to 60 °C
Examinations	CE (2014/30/EC, 2014/35/EC, 2011/65/EU)
Scope of delivery	SmartPDU (3U)
Available Options	RCM: YES, Switched: YES, Surge Protection: NO

## 19", 3U SmartPDU



The SmartPDU has 3 height units (horizontal) and an integrated MultiSensor. It includes residual current measurement (RCM), calibrated power measurement (MID), and power analysis of harmonic distortion (THD). The electronics are powered via PoE. In the event of a power failure, the sensors and PDU management continue to function thanks to a UPS-buffered PoE switch. Additional control functions and digital inputs/outputs are available via the Kentix system port. Ideal for high-density server racks, the SmartPDU can be connected to up to two electronic rack levers for intelligent access management.

### Technical details

SKU	KPMDU-RC-2400C13C19-3-32-U	KPMDU-RC-2400C13C19-3-16-U	KPMDU-RC-2400C13C19-1-32-U
Rated power, voltage	22 kVA, 230/400V	11 kVA, 230/400V	7.3 kVA, 230V
Connector plug	CEE plug (RED) to IEC60309, 5-pin, 32A/230V/400V	CEE plug (RED) to IEC60309, 5-pin, 32A/230V/400V	CEE plug (BLUE) to IEC60309, 1-pin, 32A/230V
Connection cable	3 m		
Sockets C13 (IEC60320)	24		
Sockets Cx (IEC60320)	0		
Locking sockets	IEC-LOCK for C13/C19/Cx		
Fuse/circuit breaker	3 x 16A C-type with cover	3 x 10A C-type with cover	3 x 10A C-type with cover
Current measurement (calibrated)	Integrated, calibrated current measurement, accuracy Class B (MID, EN 50470-3)		
Current measurement per area	Integrated individual measurement of the 3 fuse/phase ranges		
Residual current measurement (RCM)	Integrated AC/DC sensitive residual current measurement in accordance with IEC 60664-1, ±300 mA/100 mA (RMS)		
Connectivity	Ethernet (10/100 MBit)		
Kentix system port	RJ45 with Kentix-specific assignment for system extensions with I/O and BUS (RS485)		
Communication and security	HTTPS (certificate), integrated web server, REST API Protocol: SNMP V2/3 (GET, TRAP), NTP, SMTP, DHCP, DNS		
Management	Via KentixONE® or stand-alone by integrated web-server (HTTPS)		
Measurement/communication objects	Voltage (V) L1/L2/L3/total, current (A) L1/L2/L3/total, consumption (kWh) L1/L2/L3/total, Active power (W) L1/L2/L3/total, apparent power (VA) L1/L2/L3/total, reactive power (VAR) L1/L2/L3/total, effective factor (cos phi), frequency (Hz), phase monitoring L1/L2/L3, Residual current AC/DC, fuse status L1/L2/L3, harmonic distortion (%) THD U/I- L1/2/3, temperature (°C), Relative humidity (%), dew point (°C), vibration (G), early fire detection (VOC, Delta-T)		
Display (LCD)	Illuminated LCD display (power, current, voltage, consumption, etc.)		
Optical signaling	LED with RED/GREEN (operation, alarm/error status)		
Acoustic signaling	Signal transmitter with 80 dB, 2.3 kHz (alarm/error states)		
Housing	Sheet metal, powder-coated RAL9005, protection class 1, protection rating IP20		
Size, weight	483 x 132,5 x 88 mm (WxHxD), approx. 7 kg		
Ambient conditions	-10°C to 60°C, humidity 5-95%, storage temperature: -20 °C to 60 °C		
Approvals	CE (2014/30/EG, 2014/35/EG, 2011/65/EU)		
Scope of delivery	SmartPDU (3U) with 3m connection cable and plug		
Available Options	RCM: YES, Switched: NO, Surge Protection: NO		

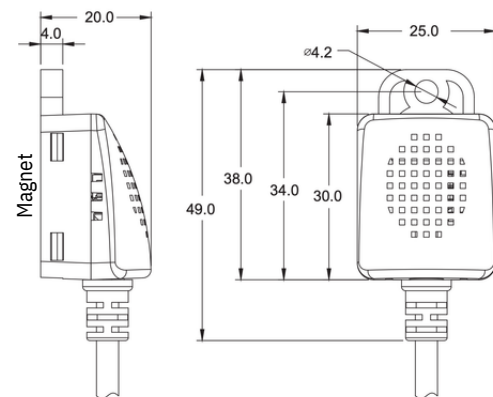
NEW

## External environmental sensor



In addition to the integrated sensors of all Kentix SmartPDUs, there is a need to measure temperature and humidity at multiple positions inside server racks, such as different front and back levels. This external sensor is easy to connect and mount for this kind of application.

The KDL-10-B is a bus (RS-485) remote temperature, humidity, and dew point module that provides real-time temperature, humidity, and dew point information. Up to three sensors can be connected to the system port of each Kentix SmartPDU (all types). The integrated magnet allows for mounting on metal sheets in racks or on walls with screws. This sensor is ideal for gathering additional environmental data inside racks.



### Products

Type	SKU
External Rack Sensor	KDL-10-BK
Distribution T-Adapter 2-way	KDL-10-DIS

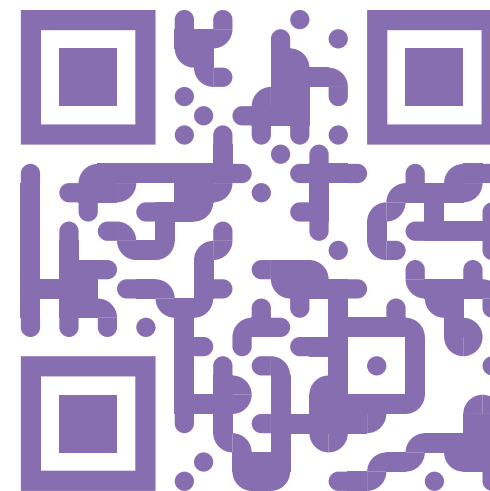
### Technical details

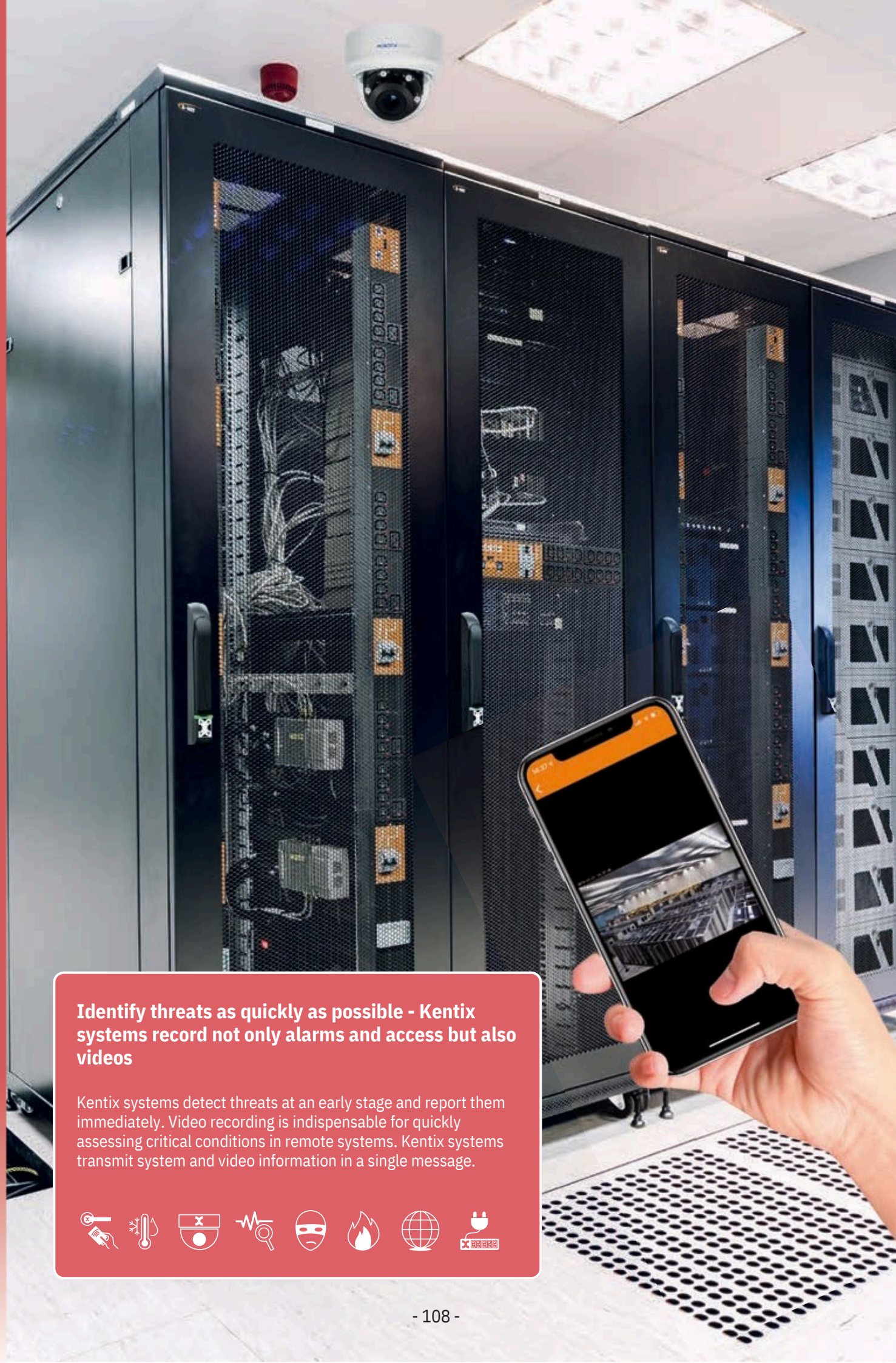
Connection	Kentix System-Port TYPE B (SmartPDU), max 3x per System-Port
Power supply	System-Port (24VDC)
Temperature Sensor	-20 to +60°C (-4 ~ +140°F), accuracy: typical: ±0.4°C, precision: ±0.1°C
Humidity Sensor	10 ~ 95% RH, accuracy: typical: ±3% RH @ 20 ~ 80% RH, precision: ±0.1% RH
Dew Point	Calculated using temperature and relative humidity, resolution: 0.1°C
Temperature range	Operating: -20 °C to +60 °C, storage: -30 ~ +80 °C
Cable	3m cable with RJ45 plug
Mount	Magnetic mount; Wall mount
Case	ABS, IP20, color: black
Weight	approx. 250g
Field of application	Temperature -25 °C to 75 °C Humidity 0 to 95 % (non-condensing)
Installation	Magnetic holder, wall mounting
Size ((W x L x H)	25 x 20 x 30 mm
Scope of delivery	Sensor with 3 m cable and RJ45 plug

## Configure your SmartPDU

For the best experience and to configure your SmartPDU according to your requirements, please visit our website.

Scan the QR-Code or go to [kentix.com/pdu](https://kentix.com/pdu)





**Identify threats as quickly as possible - Kentix systems record not only alarms and access but also videos**

Kentix systems detect threats at an early stage and report them immediately. Video recording is indispensable for quickly assessing critical conditions in remote systems. Kentix systems transmit system and video information in a single message.



# Seamlessly integrate IP video cameras into KentixONE® for event-synchronized images and events

Kentix systems detect dangers at an early stage, report them immediately or register authorized and unauthorized access. Alarm and event-accompanying video recording enables the rapid assessment of critical conditions, even in distributed systems. This is particularly reliable in conjunction with additional measurement data.

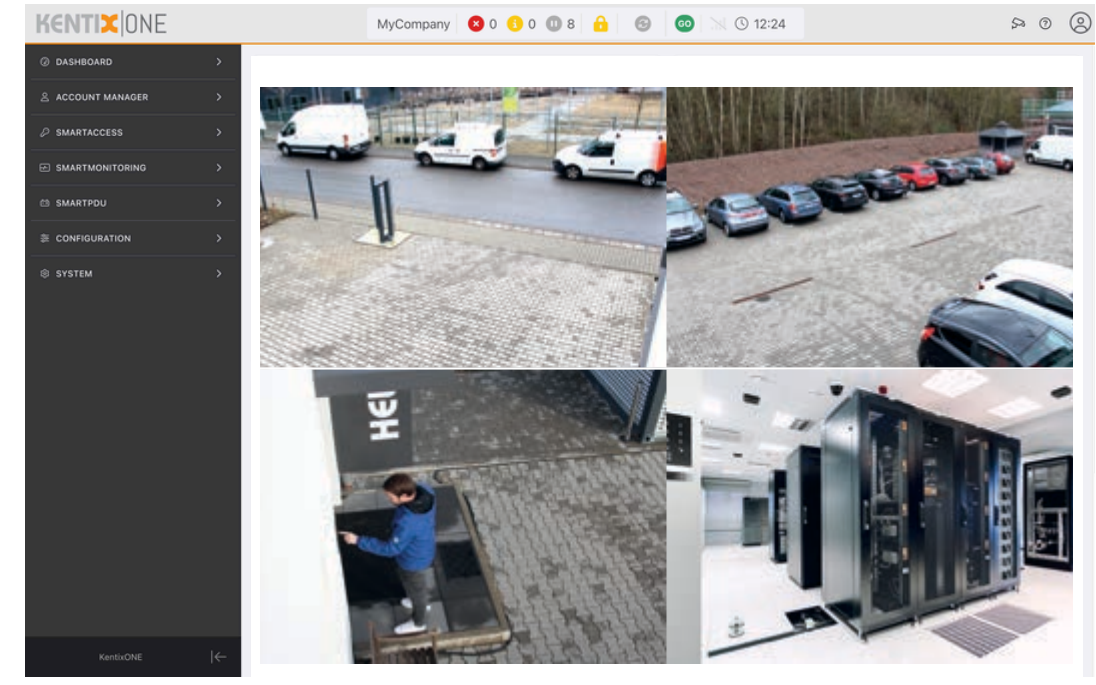
Kentix systems utilize the advantages of IP-based systems throughout and can directly access video data from IP network cameras. This data is recorded continuously. In the event of an incident, pre- and post-alarm images can be combined, saved and transmitted. The advantage is the synchronous information from measurement data and image data in one system, eliminating the need to search in an external video memory. In principle, all network cameras that allow video images to be retrieved via HTTP/HTTPS are supported. Common camera manufacturers are already stored.

### The following systems support video recording:

- SiteManager (KAM-BASIC/PRO)
- MultiSensor-LAN (KMS-LAN)
- AccessManager (KXP-16) IP-
- Wallreader (KXCX-WA3-IP1)

### Possible applications:

- IT technology rooms
- Remote technology stations
- Critical production areas
- Remote deposits
- Stores and warehouses
- Medicine cabinets



### 4MP bullet network camera with varifocal lens, outdoor (IP66)



Bullet network camera for integration into Kentix systems. The camera can be easily assigned to alarm zones or doors in SiteManager or AccessManager. 4MP sensor, 2688x1520 pixel image with up to 30fps, Built-in 2.5x motorized zoom and motorized focus lens, Viewing angle H100°/V54°, Network 100Mbit (PoE), Superdynamic 102dB, Color night vision (0.019 to 0.3 lx), H.265 intelligent coding, Corridor mode (90° or 270° image rotation), Built-in IR LED, IP66 protection class, NDDA compliant, 262x112.5x112.5mm, Scope of delivery: 5MP bullet network camera (white)

#### Products

Type	SKU
Network camera 4MP bullet housing	KWVU1542LA

### 4MP dome network camera with varifocal lens, outdoor (IP66)



4MP bullet network camera with varifocal lens, outdoor (IP66) Network camera for integration into Kentix systems. The camera can be easily assigned to alarm zones or doors in SiteManager or AccessManager. 4MP sensor, 2688x1520 pixel image with up to 30fps, built-in 2.5x motorized zoom and motorized focus lens, viewing angle H100°/V54°, network 100Mbit (PoE), super dynamic range 102dB, colour night vision (0.019 to 0.3 lx), H.265 intelligent coding, Corridor mode (90° or 270° image rotation), Built-in IR LED, IP66 protection class, NDDA compliant, Ø154x103mm, Scope of delivery: 5MP dome network camera (white)

#### Products

Type	SKU
Network camera 4MP bullet housing	KWVU2542LA

### 4MP compact dome network camera, outdoor (IP66)



Compact dome network camera for integration into Kentix systems. The camera can be easily assigned to alarm zones or doors in the SiteManager or AccessManager. 4MP sensor, 2688x1520 pixel image with up to 30fps, viewing angle H100°/V54°, network 100Mbit (PoE), super dynamic range 102dB, color night vision (0.019 to 0.3 lx), H.265 intelligent coding, corridor mode (90 degree or 270 degree image rotation), built-in IR LED, protection class IP66, NDDA compliant, Ø109x62mm, scope of delivery: 5MP dome network camera (white)

#### Products

Type	SKU
Network camera 4MP dome housing	KWVU2540LA

### 5MP sensor outdoor (IP66) 360° fisheye network camera with AI engine



4MP compact dome network camera, outdoor (IP66) Network camera for integration into Kentix systems. The camera can be easily assigned to alarm zones or doors in the SiteManager or AccessManager. 5MP pixel fisheye images with up to 30 images per second, network 100Mbit (PoE), Intelligent Auto (with AI Engine), Super Dynamic 120dB, Smart Coding (with AI Engine), IP66, IK10, 50J compliant, anti-condensation system, integrated IR LED, NDDA compliant, scope of delivery: 360° camera (white)

#### Products

Type	SKU
Network camera 5MP dome housing	KWVS4556L

### Video recorder up to 32 channels, 32 TB HDD



Network video recorder for 16 network cameras, expandable to up to 32 network cameras, 2x 10BASE-T/100BASE-TX/1000BASE-T (RJ45), NDAA compliant with intel® CPU, FIPS 140-2 level 3 Certified Secure Element, 9x HDD slots up to 80TB hard disk capacity, 2x 8TB HDD integrated (RAID 0/1), 19" installation with 2U, outputs: 1x HDMI 4K and alarm I/O, color: black, size: 420x88x370 mm (WxHxD), weight: 10kg

#### Products

Type	SKU
Network recorder, 16TB, 16 channels	KWJ-NX310-16TB
Network recorder, 32TB, 32 channels	KWJ-NX310-32TB

# kentix.com



Änderungen vorbehalten · Bildnachweise · AdobeStock · @peshkova · fotolia · @industrieblick · AdobeStock · @Siegfried Schnepf · AdobeStock · @Taras Livvy · AdobeStock · @panitan · AdobeStock · @Patipong · AdobeStock · @Maridav · fotolia · @senticus · AdobeStock @Farknot Architect · AdobeStock · @ Ivan Hafizov · AdobeStock · @pridannikov + @alongkos + @Sravan Chandran · AdobeStock · @zinkevych · AdobeStock · @sdecret · AdobeStock · @Maridav · fotolia · @sveta · AdobeStock · @panuwat

© Part of ASSA ABLOY Group

