


Ordering assistance for Kentix DoorLock-DC

(Door Knob + Profile cylinder)


Easy selection of the Wireless Door Knob with matching profile cylinder in two steps

1




Select required
Wireless Door Knob

2



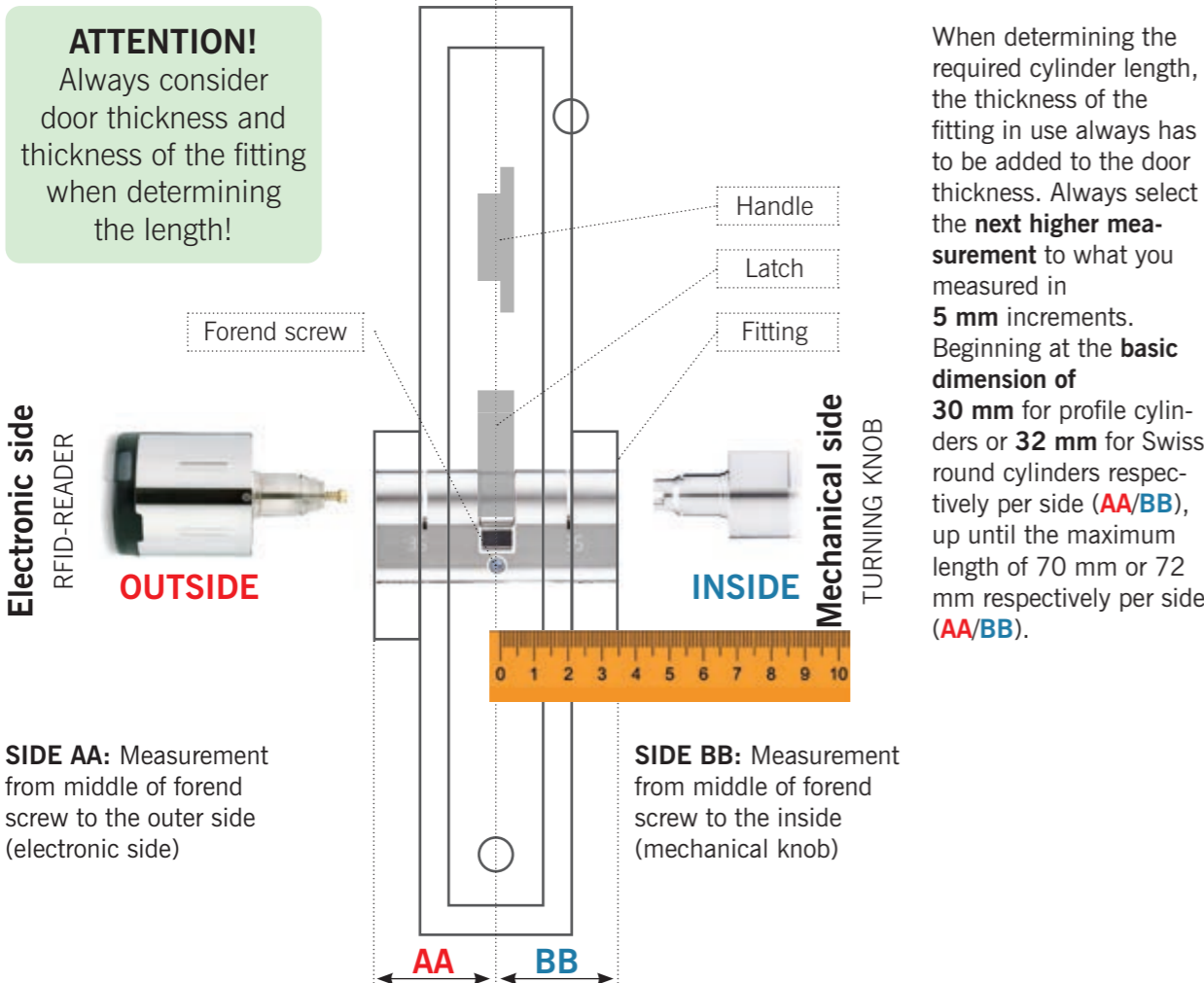
Select profile cylinder
matching the door



Only one Master Card
Set required per site

Measuring the door panel for the profile cylinder

ATTENTION!
Always consider door thickness and thickness of the fitting when determining the length!



Electronic side
RFID-READER
OUTSIDE

Mechanical side
TURNING KNOB
INSIDE

SIDE AA: Measurement from middle of forend screw to the outer side (electronic side)

SIDE BB: Measurement from middle of forend screw to the inside (mechanical knob)

When determining the required cylinder length, the thickness of the fitting in use always has to be added to the door thickness. Always select the **next higher measurement** to what you measured in **5 mm increments**. Beginning at the **basic dimension of 30 mm** for profile cylinders or **32 mm** for Swiss round cylinders respectively per side (AA/BB), up until the maximum length of 70 mm or 72 mm respectively per side (AA/BB).

EXAMPLE 1
Measured: AA = 30.5 mm BB = 38 mm
Order length: AA = 35 mm BB = 40 mm **Total length = 75 mm**, select version of up to 80 mm
Kentix item numbers: KXC-80-**AA**BB (AA=Electronic side / BB=Mechanical side)
KXC-80-**3540** Item number for profile cylinder of up to 80 mm total length
KXC-80CH-**3242** Item number for round cylinder (Switzerland) of up to 84 mm total length

EXAMPLE 2
Measured: AA = 46.5 mm BB = 65 mm
Order length: AA = 50 mm BB = 65 mm **Total length = 115 mm**, select version of up to 140 mm
Kentix item numbers: KXC-140-**AA**BB (AA=Electronic side / BB=Mechanical side)
KXC-140-**5065** Item number for profile cylinder of up to 140 mm total length
KXC-140CH-**4767** Item number for round cylinder (Switzerland) of up to 144 mm total length

1 Select Wireless Door Knob – Interior door, exterior door or compact

OUTSIDE
RFID-READER

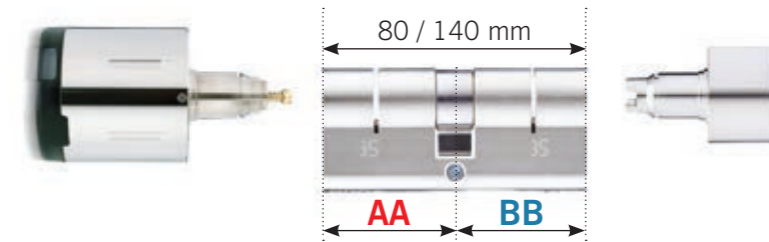


INSIDE
TURNING KNOB

Select Wireless Door Knob	Item number
DoorLock-DC BASIC for interior doors (IP55)	KXC-KN1
DoorLock-DC BASIC for exterior doors (IP66)	KXC-KN2
DoorLock-DC PRO for interior doors (IP55)	KXC-KN4-IP55
DoorLock-DC PRO for exterior doors (IP66)	KXC-KN4-IP66

2 Select profile cylinder – length and function

OUTSIDE
Electronic side



INSIDE
Turning knob

Item number: KXC-80-**AA**BB 30-50 mm 30-50 mm possible total length 60 - 80 mm (AA+BB)
Item number: KXC-140-**AA**BB 30-70 mm 30-70 mm possible total length 85 - 140 mm (AA+BB)

Profile cylinder for standard doors with Euro profile cylinder: Select matching length	Item number
Profile cylinder standard up to 80 mm cylinder length with mechanical turning knob, incl. forend screw	KXC-80-AA
Profile cylinder standard up to 140 mm cylinder length with mechanical turning knob, incl. forend screw	KXC-140-AA
Profile cylinder with anti-panic-function up to 80 mm cylinder length and mech. turning knob, forend screw	KXC-80AP-AA
Profile cylinder with anti-panic-function up to 140 mm cylinder length and mech. turning knob, forend screw	KXC-140AP-AA
Profile half cylinder up to 50 mm, incl. forend screw	KXC-50-AA
Profile half cylinder up to 50 mm with spring reset LEFT, incl. forend screw	KXC-50-AA-SRL
Profile half cylinder up to 50 mm with spring reset RIGHT, incl. forend screw	KXC-50-AA-SRR
Round cylinder (Switzerland) for standard doors with Swiss round cylinder: Select matching length	Item number
Round cylinder (Switzerland) standard up to 84 mm cylinder length with mech. turning knob, forend screw	KXC-80CH-AA
Round cylinder (Switzerland) standard up to 144 mm cylinder length with mech. turning knob, forend screw	KXC-140CH-AA
Round half cylinder (Switzerland) up to 50 mm, incl. forend screw	KXC-50CH-AA

SPECIAL LENGTHS UPON REQUEST!

Possible lengths profile cylinder:

- AA BB
- 30 30
- 35 35
- 40 40
- 45 45
- 50 50
- 55 55
- 60 60
- 65 65
- 70 70

Possible length Swiss round cylinder:

- AA BB
- 32 32
- 37 37
- 42 42
- 47 47
- 52 52
- 57 57
- 62 62
- 67 67
- 72 72

Type Wireless Door Knob Version

1	KXC-KN1	DoorLock-DC BASIC for interior doors (IP55)
	KXC-KN2	DoorLock-DC BASIC for exterior doors (IP66)
	KXC-KN4-IP55	DoorLock-DC PRO for interior doors (IP55)
	KXC-KN4-IP66	DoorLock-DC PRO for exterior doors (IP66)

Type profile cylinder Max. total length (AA + BB in mm) Variant Length outside (mm) Length inside (mm)

2	KXC-	80	- (Standard)	AA	BB
		140	AP- (Anti-panic)		
		144	CH- (Switzerland)		

POS	Door name	WIRELESS KNOB		PROFILE CYLINDER		
		Type Interior/Exterior/Compact	Type max. total length	Version	AA (mm)	BB (mm)
-	Sample door entrance	<input checked="" type="checkbox"/> KXC-KN1 (IP55) <input type="checkbox"/> KXC-KN2 (IP66) <input type="checkbox"/> KXC-KN4 (IP55) <input type="checkbox"/> KXC-KN4 (IP66)	<input type="checkbox"/> KXC-50 (Halbzyl.) <input type="checkbox"/> KXC-80 <input checked="" type="checkbox"/> KXC-140	<input checked="" type="checkbox"/> - <input type="checkbox"/> AP- <input type="checkbox"/> CH-	41 45	56 60
1		<input type="checkbox"/> KXC-KN1 (IP55) <input type="checkbox"/> KXC-KN2 (IP66) <input type="checkbox"/> KXC-KN4 (IP55) <input type="checkbox"/> KXC-KN4 (IP66)	<input type="checkbox"/> KXC-50 <input type="checkbox"/> KXC-80 <input type="checkbox"/> KXC-140	<input type="checkbox"/> - <input type="checkbox"/> AP- <input type="checkbox"/> CH-		
2		<input type="checkbox"/> KXC-KN1 (IP55) <input type="checkbox"/> KXC-KN2 (IP66) <input type="checkbox"/> KXC-KN4 (IP55) <input type="checkbox"/> KXC-KN4 (IP66)	<input type="checkbox"/> KXC-50 <input type="checkbox"/> KXC-80 <input type="checkbox"/> KXC-140	<input type="checkbox"/> - <input type="checkbox"/> AP- <input type="checkbox"/> CH-		
3		<input type="checkbox"/> KXC-KN1 (IP55) <input type="checkbox"/> KXC-KN2 (IP66) <input type="checkbox"/> KXC-KN4 (IP55) <input type="checkbox"/> KXC-KN4 (IP66)	<input type="checkbox"/> KXC-50 <input type="checkbox"/> KXC-80 <input type="checkbox"/> KXC-140	<input type="checkbox"/> - <input type="checkbox"/> AP- <input type="checkbox"/> CH-		
4		<input type="checkbox"/> KXC-KN1 (IP55) <input type="checkbox"/> KXC-KN2 (IP66) <input type="checkbox"/> KXC-KN4 (IP55) <input type="checkbox"/> KXC-KN4 (IP66)	<input type="checkbox"/> KXC-50 <input type="checkbox"/> KXC-80 <input type="checkbox"/> KXC-140	<input type="checkbox"/> - <input type="checkbox"/> AP- <input type="checkbox"/> CH-		
5		<input type="checkbox"/> KXC-KN1 (IP55) <input type="checkbox"/> KXC-KN2 (IP66) <input type="checkbox"/> KXC-KN4 (IP55) <input type="checkbox"/> KXC-KN4 (IP66)	<input type="checkbox"/> KXC-50 <input type="checkbox"/> KXC-80 <input type="checkbox"/> KXC-140	<input type="checkbox"/> - <input type="checkbox"/> AP- <input type="checkbox"/> CH-		
6		<input type="checkbox"/> KXC-KN1 (IP55) <input type="checkbox"/> KXC-KN2 (IP66) <input type="checkbox"/> KXC-KN4 (IP55) <input type="checkbox"/> KXC-KN4 (IP66)	<input type="checkbox"/> KXC-50 <input type="checkbox"/> KXC-80 <input type="checkbox"/> KXC-140	<input type="checkbox"/> - <input type="checkbox"/> AP- <input type="checkbox"/> CH-		



Wireless Door Lever
see page 40

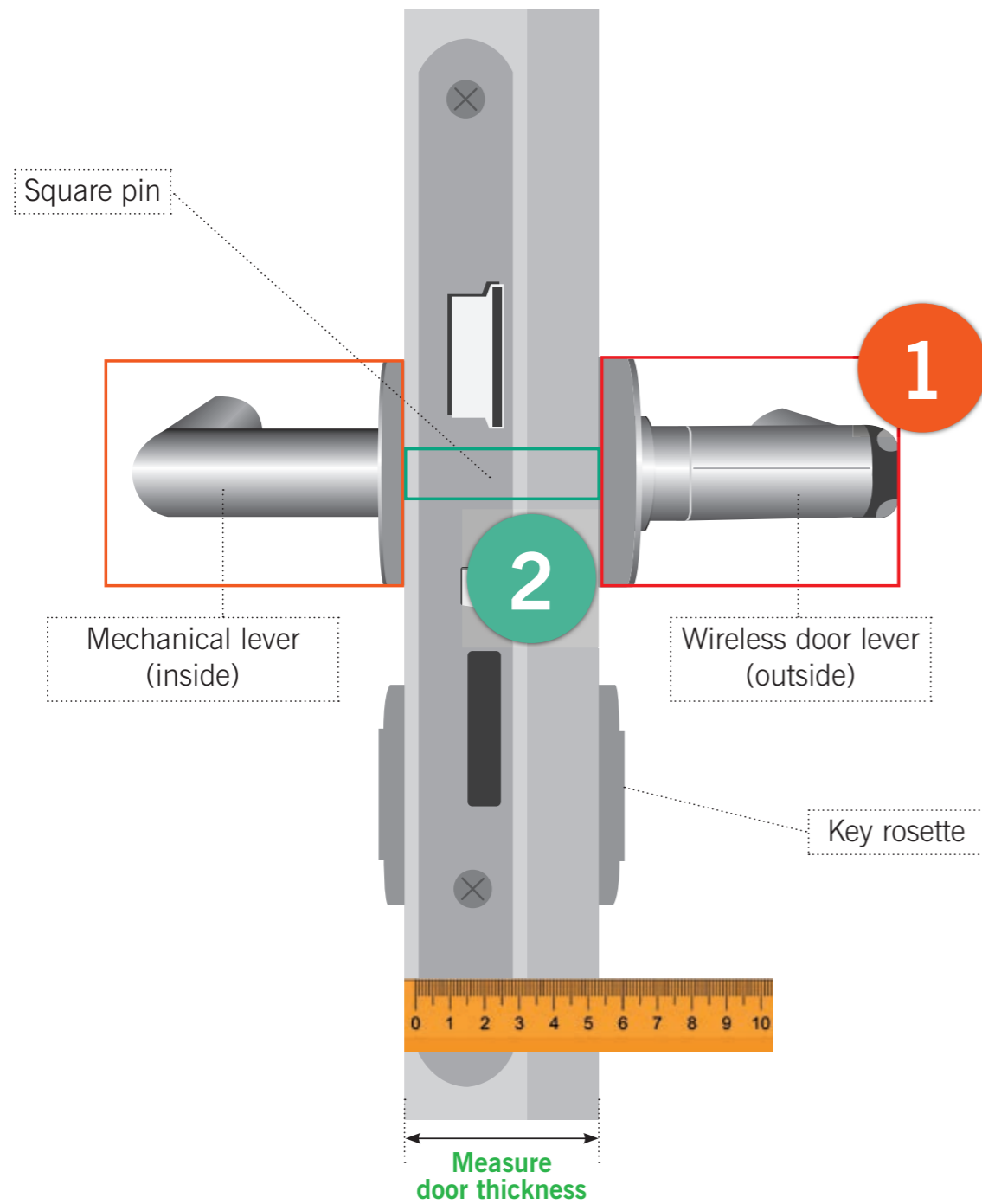
Wireless Door Knob
see page 34



Ordering assistance for Kentix DoorLock-LE

(Wireless Door Lever)

Easy selection of the required Kentix DoorLock Door Lever in two steps



INFO

The delivery always takes place as a set consisting of radio door lever handle, mechanical inside lever handle and eyed screws. The required screws. The key rosettes are not included, you can use the existing ones or order matching ones. For standard doors with 8 mm square pin, this is already included with the lever handle. For all other doors, please order the matching square pin as well.

1

Select door lever or door fitting

Version	Lever shape	Protection	Lever direction	PC-distance
<input type="checkbox"/> Round rosette (R) <input type="checkbox"/> Oval rosette (O) <input type="checkbox"/> Slim with punch (FS) <input type="checkbox"/> Wide with punch (FW) <input type="checkbox"/> Slim blind (FSB) <input type="checkbox"/> Wide blind (FWB) <input type="checkbox"/> Short (FL) <input type="checkbox"/> Short blind (FLB)	<input type="checkbox"/> L-shape (L) <input type="checkbox"/> U-shape (U1) <input type="checkbox"/> U-shape 2 round (UR)	<input type="checkbox"/> Indoor IP55 (I) <input type="checkbox"/> Outdoor IP66 (O) <input type="checkbox"/> Indoor-Fire (F) For indoor or outdoor use or for fire protection doors	<input type="checkbox"/> Right (R) <input type="checkbox"/> Left (L)	
Slim with punch Slim blind Wide with punch Wide blind Short with punch Short blind				<input type="checkbox"/> 72 mm (Standard) <input type="checkbox"/> 78 mm <input type="checkbox"/> 85 mm <input type="checkbox"/> 88 mm <input type="checkbox"/> 92 mm <input type="checkbox"/> 94 mm
KXC-LE	R	L	I	R

2

Select square pin, if required

SELECT SQUARE PIN			HINT
Type	Square pin (mm)	Door thickness (mm)	
	<input type="checkbox"/> 8.0 <input type="checkbox"/> 8.5 <input type="checkbox"/> 9.0	_____	For standard doors with an 8mm square pin, this is already included. For all other doors please select the appropriate the corresponding square pin.
KXC-S	8.0	75-83	

1 Select wireless door lever and door fitting

Version	Lever shape	Protection	Lever direction	PC-distance
<input checked="" type="checkbox"/> Round rosette (R)	<input checked="" type="checkbox"/> L-shape (L)	<input checked="" type="checkbox"/> Indoor IP55 (I)	<input checked="" type="checkbox"/> Right (R)	<input checked="" type="checkbox"/> 72 mm (Standard)
<input type="checkbox"/> Oval rosette (O)	<input type="checkbox"/> U-shape (U1)	<input type="checkbox"/> Outdoor IP66 (O)	<input type="checkbox"/> Left (L)	<input type="checkbox"/> 78 mm
<input type="checkbox"/> Slim with punch (FS)	<input type="checkbox"/> U-shape 2 round (UR)	<input type="checkbox"/> Indoor-Fire (F) <small>For indoor or outdoor use or for fire protection doors</small>		<input type="checkbox"/> 85 mm
<input type="checkbox"/> Slim blind (FSB)				<input type="checkbox"/> 88 mm
<input type="checkbox"/> Wide with punch (FW)				<input type="checkbox"/> 92 mm
<input type="checkbox"/> Wide blind (FWB)				<input type="checkbox"/> 94 mm
<input type="checkbox"/> Short with punch (FL)				
<input type="checkbox"/> Short blind (FLB)				

R **L** **I** **R**

Example	Door „Office“	KXC-LE	R	L	I	R	Quantity
		<input checked="" type="checkbox"/> 8.0	<input type="checkbox"/> 8.5	<input type="checkbox"/> 9.0	Door thickness: <u>75 mm</u>	PC-distance: <u>72 mm</u>	2
		KXC-LE	—	—	—	—	
		<input type="checkbox"/> 8.0	<input type="checkbox"/> 8.5	<input type="checkbox"/> 9.0	Door thickness: _____	PC-distance: _____	
		KXC-LE	—	—	—	—	
		<input type="checkbox"/> 8.0	<input type="checkbox"/> 8.5	<input type="checkbox"/> 9.0	Door thickness: _____	PC-distance: _____	
		KXC-LE	—	—	—	—	
		<input type="checkbox"/> 8.0	<input type="checkbox"/> 8.5	<input type="checkbox"/> 9.0	Door thickness: _____	PC-distance: _____	
		KXC-LE	—	—	—	—	
		<input type="checkbox"/> 8.0	<input type="checkbox"/> 8.5	<input type="checkbox"/> 9.0	Door thickness: _____	PC-distance: _____	
		KXC-LE	—	—	—	—	
		<input type="checkbox"/> 8.0	<input type="checkbox"/> 8.5	<input type="checkbox"/> 9.0	Door thickness: _____	PC-distance: _____	
		KXC-LE	—	—	—	—	
		<input type="checkbox"/> 8.0	<input type="checkbox"/> 8.5	<input type="checkbox"/> 9.0	Door thickness: _____	PC-distance: _____	



Wireless Door Lever
see page 41