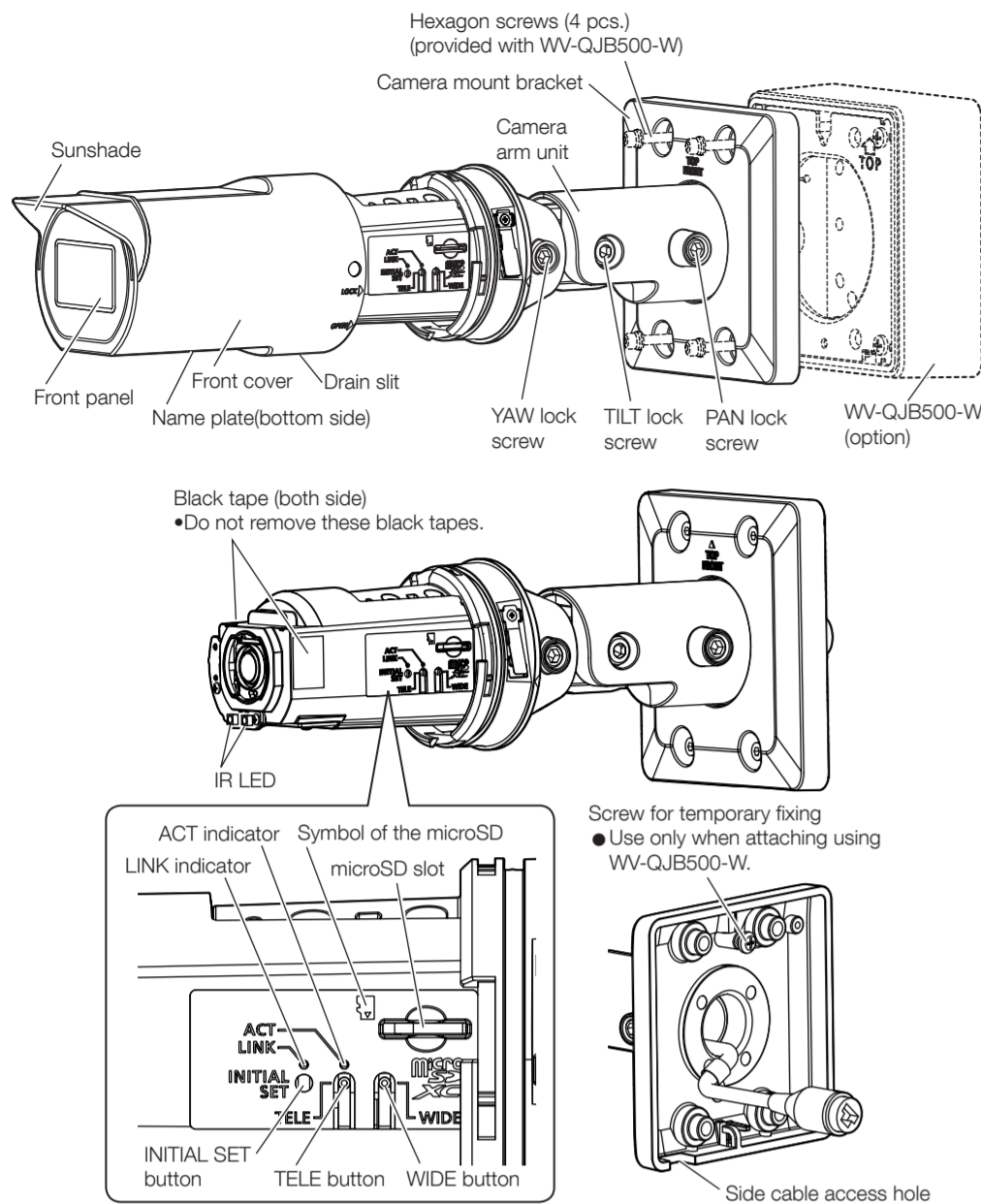




## Parts and functions



### ■Indicators

#### Note:

- Lighting/blinking LED can be turned off with the software settings at any time. (The initial state is lighting or blinking.) Refer to the Operating instructions, and set the LED to be solid off if necessary.

#### LINK indicator

When the camera is able to communicate with the connected device Lights orange

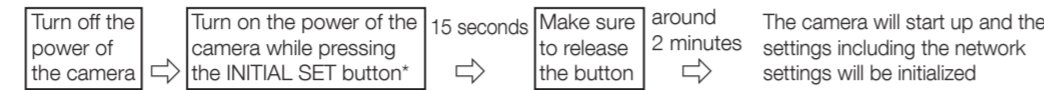
#### ACT indicator

When data is being sent via the network camera Blinks green (accessing)

### ■Buttons

#### •INITIAL SET button (Initializing)

Follow the steps below to initialize the network camera. Retry if the camera does not start up normally.



\*Do not turn off the power of the camera during the process of initialization. Otherwise, it may fail to initialize and may cause malfunction.

#### •TELE button

Click the TELE button to adjust the zoom ratio to the "Tele" side.

#### •WIDE button

Click the WIDE button to adjust the zoom ratio to the "Wide" side.

## Step1 Processing the installation surface (Process in accordance with the installation method)

### Common

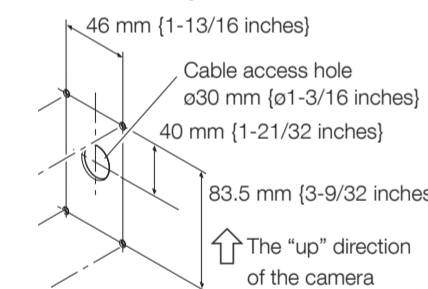
When not using WV-QJB500-W, remove the screw for temporary fixing.

- Determine the mounting height of the camera so that the lowest part of the camera or the camera mount bracket after the installation is 2 m 80 cm (110 inches) or higher from the floor.

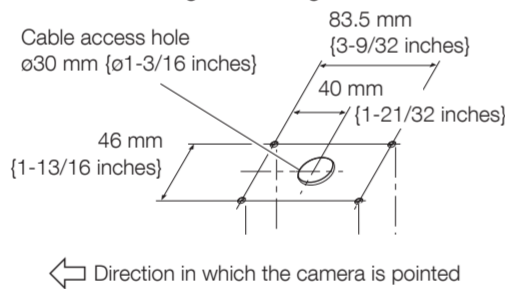
### Directly mount

Drill a hole in the installation surface. (4 screw holes / 1 cable access hole).

<When mounting on a wall>



<When mounting on a ceiling>



#### Note:

- When running the cable using the side cable access hole of the camera, the cable access hole indicated in the upper figure is not required.
- To install this product outdoors, be sure to waterproof screw holes and cable access hole.

**Gangbox/ Junction box** Mount the gangbox/ junction box on the installation surface.

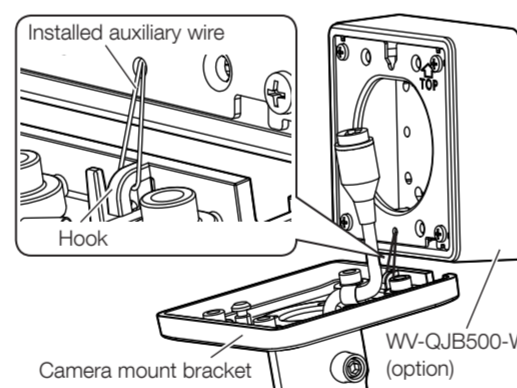
#### Note:

- When gangbox/ junction box or the like are used, it is recommended that 2 pieces be used side by side. (Cable connection will become easy by fixing the camera on one side and wiring on the other side.)

### Adapter box

[1] Install on the installation surface by following the operating instructions of WV-QJB500-W (option).

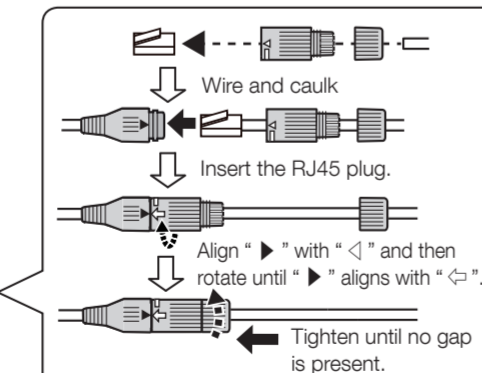
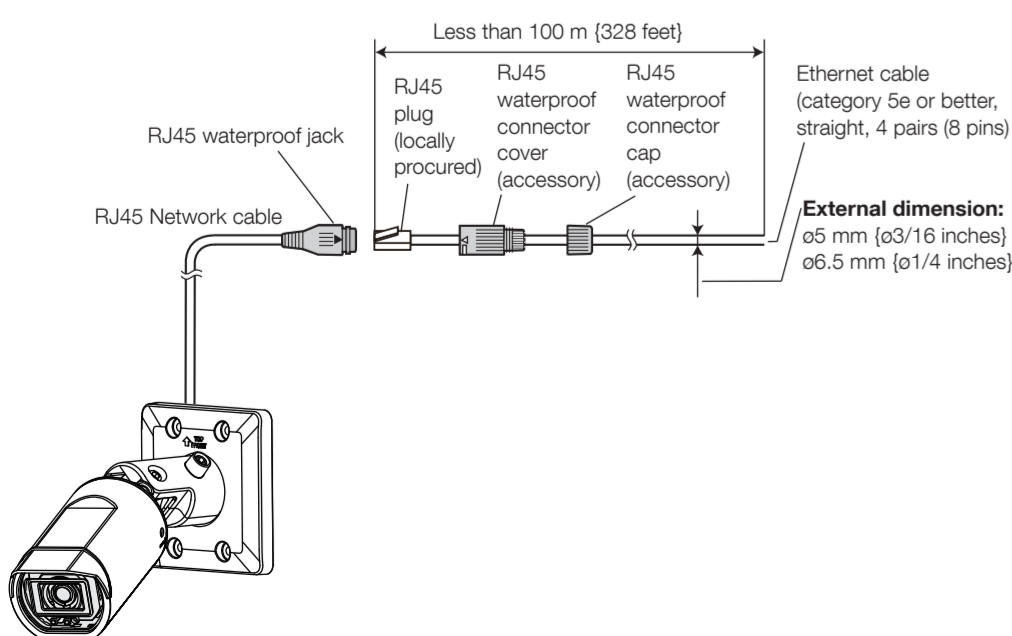
[2] Hang the camera by hooking the installed auxiliary wire on the hook on the rear of the camera mount bracket as shown in the illustration on the right.



## Step2 Making connections

### IMPORTANT:

- Devices to which power can be supplied to this product are PoE hub and PoE power supplying equipment.
- Turn off each system's power supply before making a connection.



### IMPORTANT:

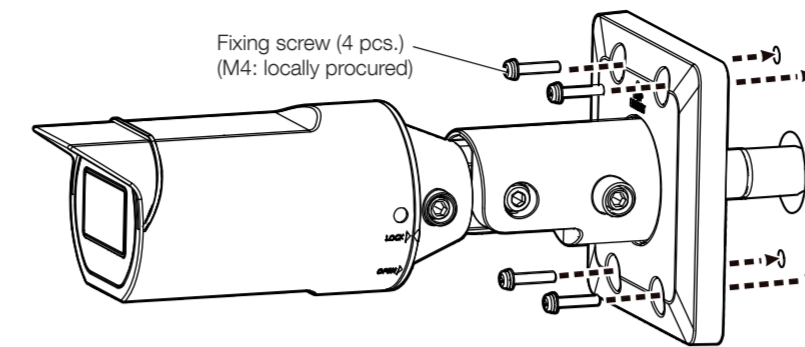
- Do not install the camera where the RJ45 waterproof connector is exposed to constant rain or moisture.
- When removing the RJ45 waterproof connector, be sure to remove it with the reverse procedure of connection.
- When the Ethernet cable is disconnected once, reconnect the cable after around 2 seconds. When the cable is quickly reconnected, the power may not be supplied from the PoE device.

## Step3 Mount the camera (Fix in accordance with the installation method)

### Directly mount

Secure the camera with fixing screws (4 pcs.) (M4:locally procured).

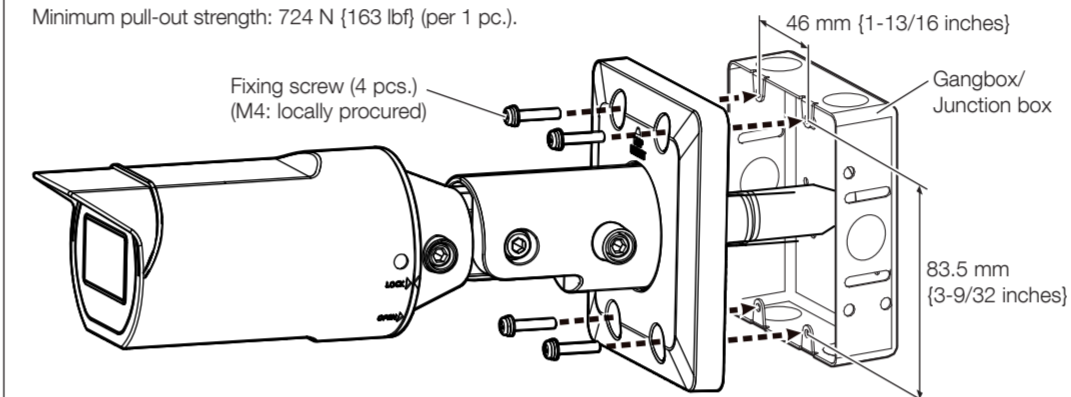
Minimum pull-out strength: 724 N {163 lbf} (per 1 pc.).



### Gangbox/ Junction box

Secure the camera with fixing screws (4 pcs.) (M4:locally procured).

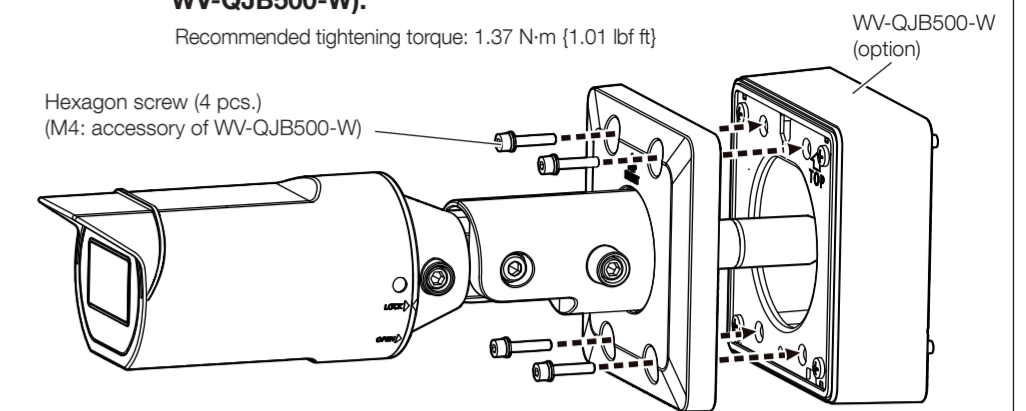
Minimum pull-out strength: 724 N {163 lbf} (per 1 pc.).



### Adapter box

Using a 3 mm {1/8 inches} hex wrench (locally procured), secure the camera with hexagon screws (4 pcs.) (M4:accessory of WV-QJB500-W).

Recommended tightening torque: 1.37 N-m {1.01 lbf ft}



## Step4 Adjustment

[1] Turn on the camera.

[2] Connect to the network by following information described on our support website <Control No.: C0123>.

[3] Adjust the camera direction.

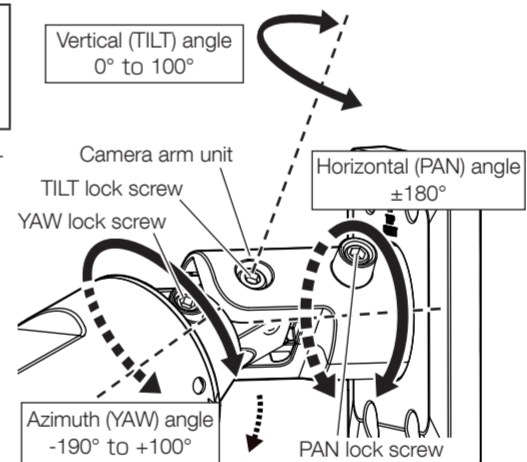
- Using a 5 mm (3/16 inches) hex wrench (locally procured), loosen TILT lock screw, PAN lock screw and YAW lock screw.
- Adjust the horizontal (PAN) angle, vertical (TILT) angle, and azimuth (YAW) angle while watching the screen of the PC on the network.

### IMPORTANT:

- Do not adjust the Horizontal (PAN) angle more than  $\pm 180^\circ$ . This may cause cables to be wrenched.

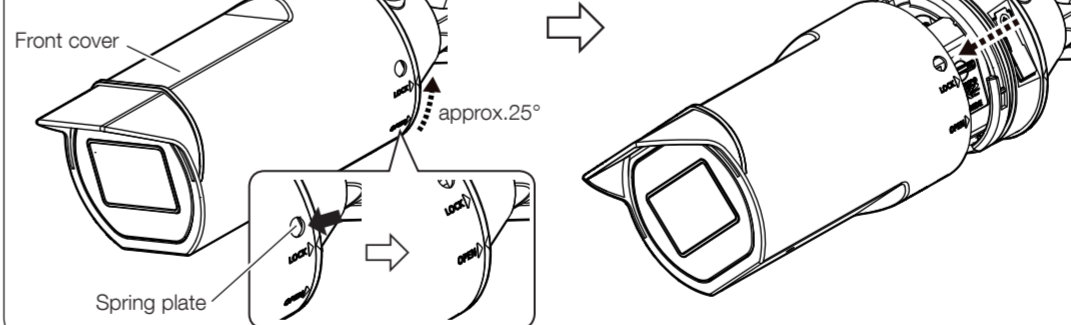
[3] After adjusting the direction, fix the camera by tightening the TILT lock screw, PAN lock screw and YAW lock screw.

Recommended tightening torque:  
 PAN lock screw : 2.15 N-m {1.59 lbf-ft}  
 TILT lock screw : 2.15 N-m {1.59 lbf-ft}  
 YAW lock screw : 2.15 N-m {1.59 lbf-ft}



[4] Remove the front cover from the camera.

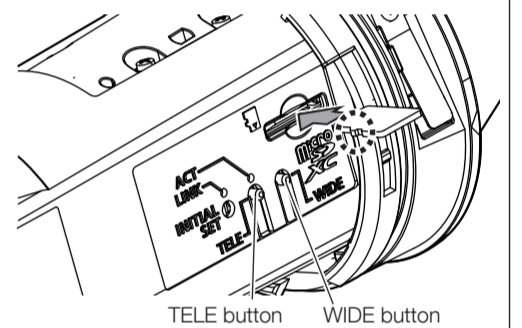
- Rotate the front cover while pressing the spring plate with a thin tool.
- Pull the front cover forward.



[5] If necessary, insert a microSD memory card by referring to "Insert / remove a microSD memory card".

[6] Adjust the zoom ratio of the camera.

Adjust the zoom ratio using the TELE button and the WIDE button while watching the screen.

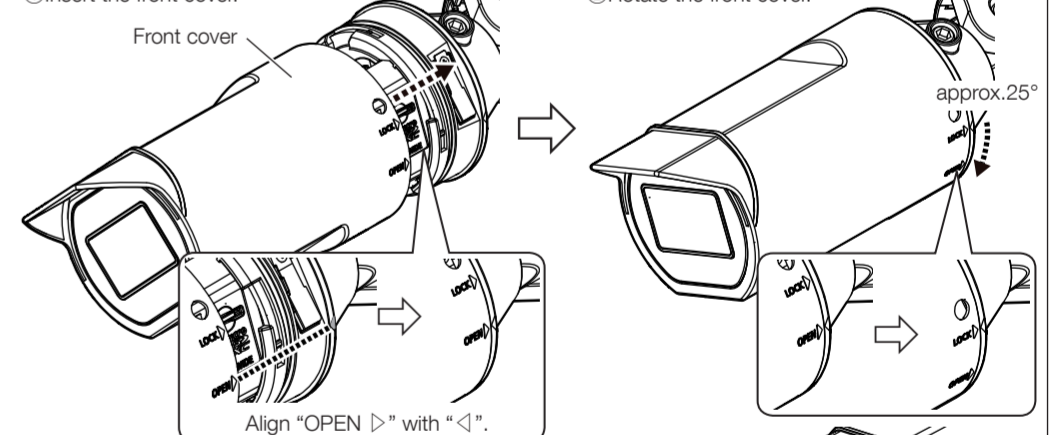


#### Note:

- After approx. 3 seconds from releasing the TELE button or the WIDE button, the auto focus function will automatically be executed. Do not touch the camera during execution of the auto focus function.
- Attaching the front cover may cause slight defocusing. In this case, execute the auto focus function from the setup menu after attaching the front cover and removing the protection film.
- When the resolution is set to higher than 640x360, image quality may deteriorate depending on the zoom ratio. Refer to our support website <Control No.: C0124> for further information.

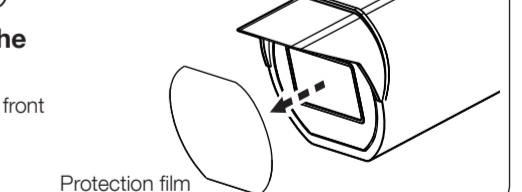
[7] Mount the front cover to the camera

- Insert the front cover.
- Rotate the front cover.



[8] After complete installation, remove the protection film from the front panel.

After removal, be sure not to touch the clear part of the front panel.



## Insert / remove a microSD memory card

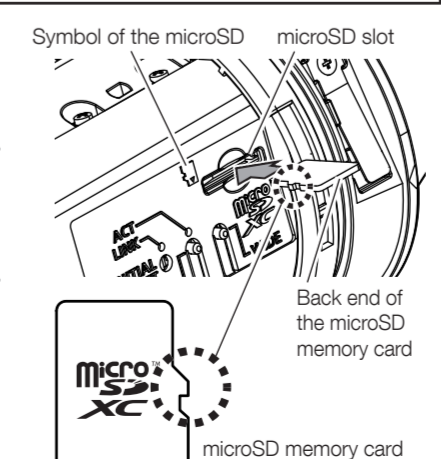
■ Insert a microSD memory card

- Remove the front cover from the camera.
- Insert the microSD memory card into the end of the microSD slot and confirm that a clicking sound is made.

#### Note:

- Back end of the microSD memory card does not protrude over the surface of the microSD slot (the same surface as the symbol of the microSD).

- Attach the front cover to the camera again.



■ Remove a microSD memory card

When removing a microSD memory card, reverse the procedure.

- Remove the front cover from the camera.
- Remove the microSD memory card by pushing it down until a click sound is heard while holding the card with a finger to prevent it from popping out.
- Attach the front cover to the camera again.

### IMPORTANT:

- When removing a microSD memory card, make sure to set "SD memory card" to "Not use" on the [SD memory card] tab of the setup menu before removing the microSD memory card. After removing the memory card, set back the "SD memory card" to "Use". For information about the setup menu, refer to the Operating Instructions.

#### Note:

- When using a microSD memory card, format it using this product. Refer to the Operating Instructions for how to format a microSD memory card.
- Use the compatible microSD memory cards. Refer to our support website <Control No.: C0107> for latest information about the compatible microSD memory cards.